

Service Service Service



Service Manual

COMPACT
disc
DIGITAL AUDIO

TABLE OF CONTENTS

| | |
|---|---------|
| Specification | 2 - 3 |
| Measurement setup | 4 |
| Safety | 5 |
| Connections & Controls | 6 - 7 |
| Service hints | 8 |
| Dismantling Hints | 9 - 11 |
| Service Testprogram | 12 - 16 |
| Wiring Diagram of Set | 17 - 18 |
| Block Diagram of Set | 19 - 21 |
| Micro Mix Board | |
| Circuit Diagram | 22 |
| Component Layout | 22 |
| Front Board | |
| Component Layout copperside view | 23 - 24 |
| Circuit Diagram AF-Part | 25 - 26 |
| Component Layout componentside view | 27 - 28 |
| Circuit Diagram Control-Part | 29 - 30 |
| Recorder Board | |
| Adjustment Table | 31 |
| Component Layout | 32 |
| Circuit Diagram | 33 - 34 |
| Power Board (all version except /22) | |
| Component Layout | 35 - 36 |
| Circuit Diagram | 37 - 38 |
| Power Board (for /22 only) | |
| Component Layout | 39 - 40 |
| Circuit Diagram | 41 - 42 |
| Trafo Board | |
| Circuit Diagram | 43 |
| Component Layout | 43 |

ECO 4 Tuner

| | |
|------------------------|---------|
| Circuit Diagram | 44 - 46 |
| Component Layout | 47 - 48 |
| Adjustment Table | 49 |

Tuner 92

| | |
|------------------------|---------|
| Circuit Diagram | 50 - 52 |
| Component Layout | 53 - 54 |
| Adjustment Table | 55 |

CD

| | |
|------------------------------|---------|
| Dismantling of CD Unit | 56 - 59 |
| Block Diagram | 59 - 60 |
| Component Layout | 61 - 62 |
| Circuit Diagram | 63 - 65 |
| Faultfinding Tree | 66 - 67 |
| Abbreviations | 68 |
| Exploded View CD | 69 - 70 |

| | |
|-----------------------------|---------|
| Exploded Views of Set | 69 - 72 |
| Partslist | 73 ff |

Annex

Service Manual Tape Transport RDN-11

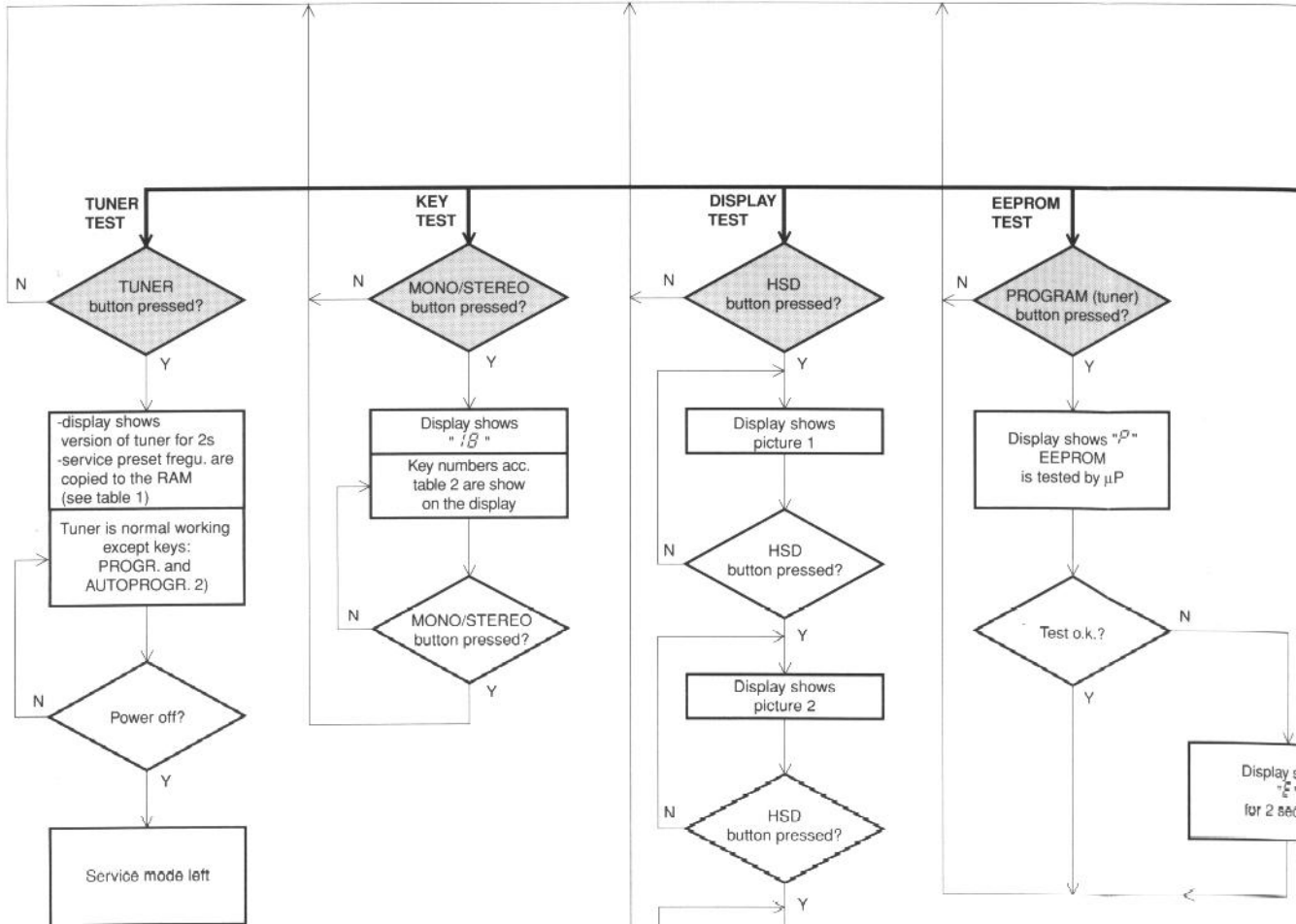
Service Manual Record Player DL-40

**CLASS 1
LASER PRODUCT**

SERVICE TEST PROGRAM

The service test program can be left:

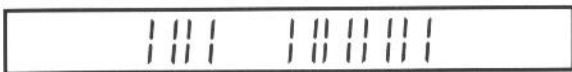
- at each step: by switching power off (disconnect mains)
- from service main menu: by pressing the Standby button twice the set is switched to normal working mode except:
 - * in TUNER mode still the service preset frequencies are available.
 - * in CD mode the error codes will be displayed.



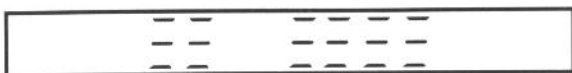
2) Preset frequencies of table 1 can be used as in normal tuner mode. If field strength is high enough "PROGRAM" flag will light. Preset frequencies stored by the customer are still stored in the EEPROM and can be recalled by a reset of the μP (switching power off by disconnecting mains cord)



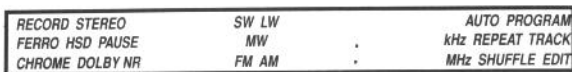
Picture 1



Picture 2



Picture 3



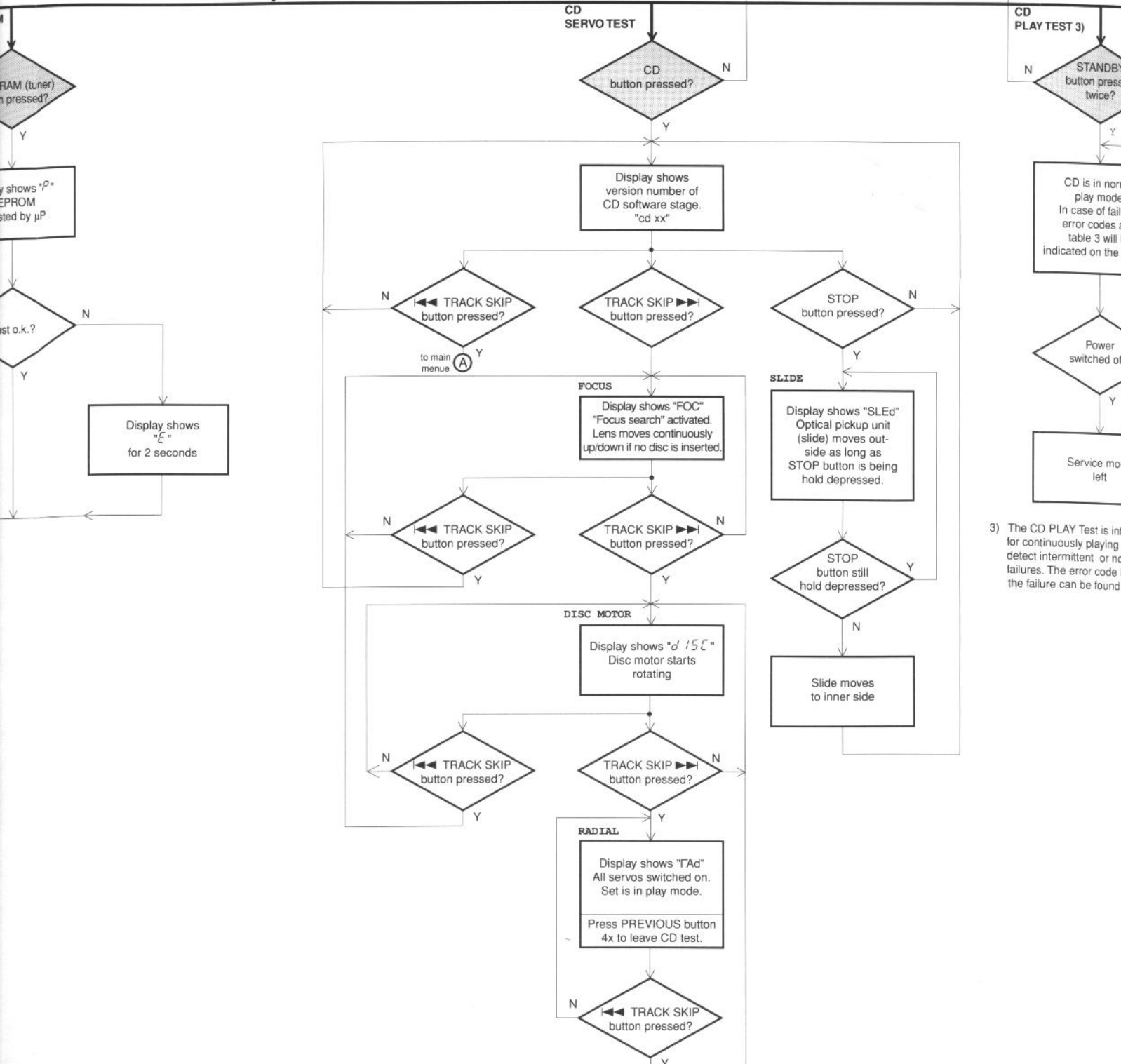
Picture 4

To start service test program hold
PROGR. & PRESET UP
 buttons depressed while
 plugging in the mains cord

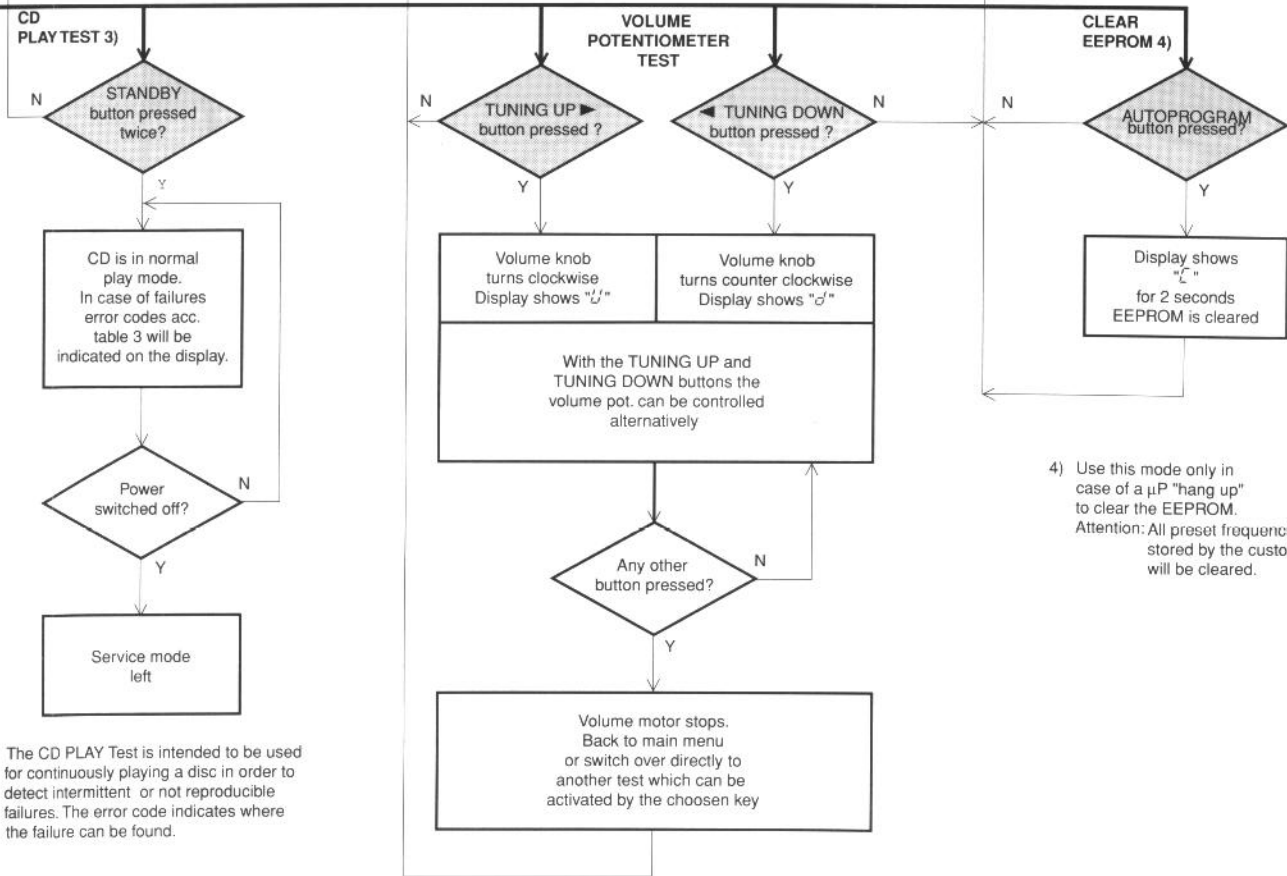


Display shows set name
 and number of ROM
 version "54 xx S" 1)
 (Main menu)

1) 54 stands for AS 440 or AS 540
 64 stands for AS 640
 xx version number of software
 S stands for Service test program
 divided quartz frequency of front μ P (61 Hz) can
 be measured on pin 34 of the display



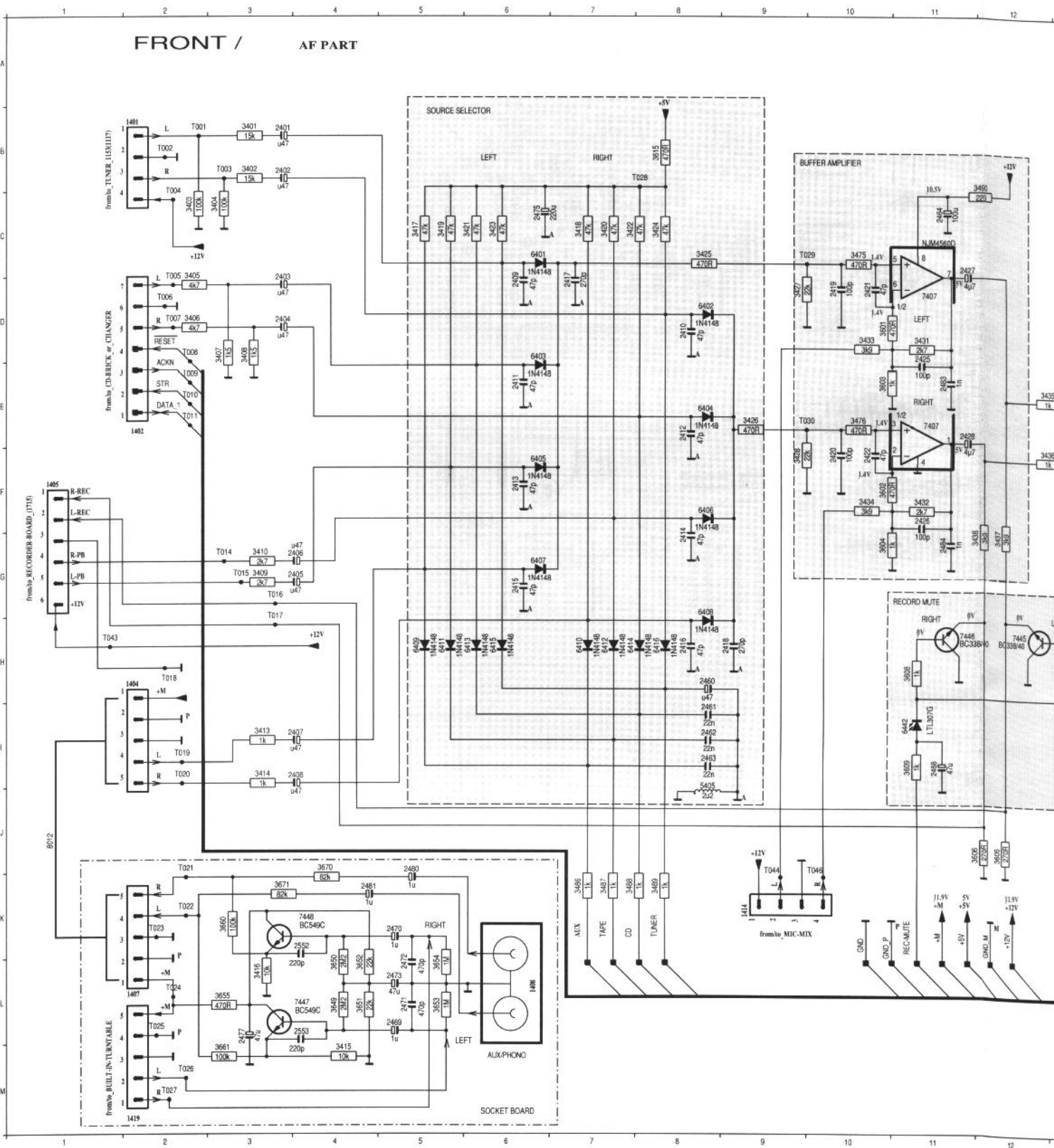
3) The CD PLAY Test is intended for continuously playing a disc to detect intermittent or no failures. The error code in table 3 will indicate the failure can be found



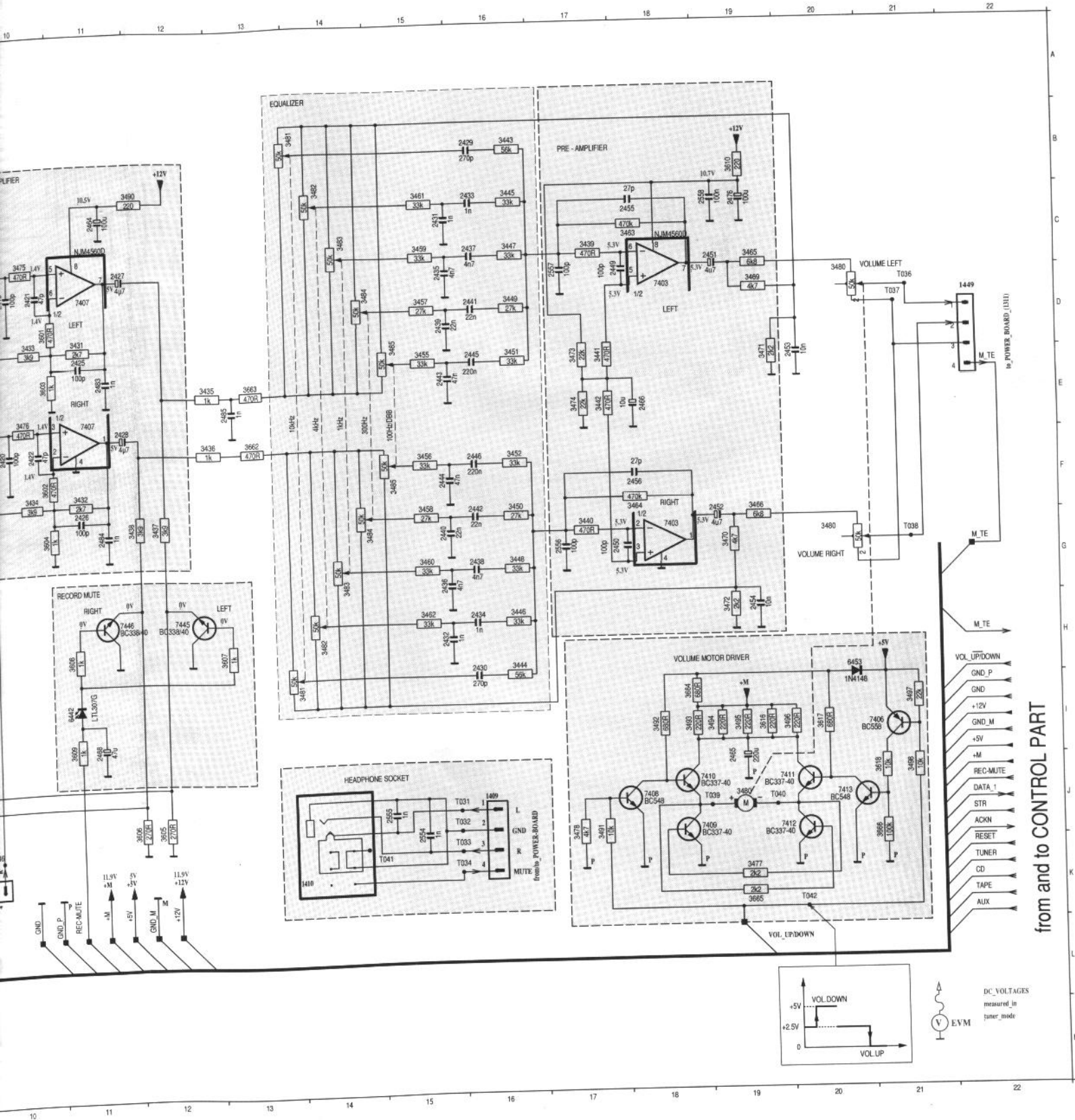
4) Use this mode only in case of a μP "hang up" to clear the EEPROM. Attention: All preset frequencies stored by the customer will be cleared.

3) The CD PLAY Test is intended to be used for continuously playing a disc in order to detect intermittent or not reproducible failures. The error code indicates where the failure can be found.

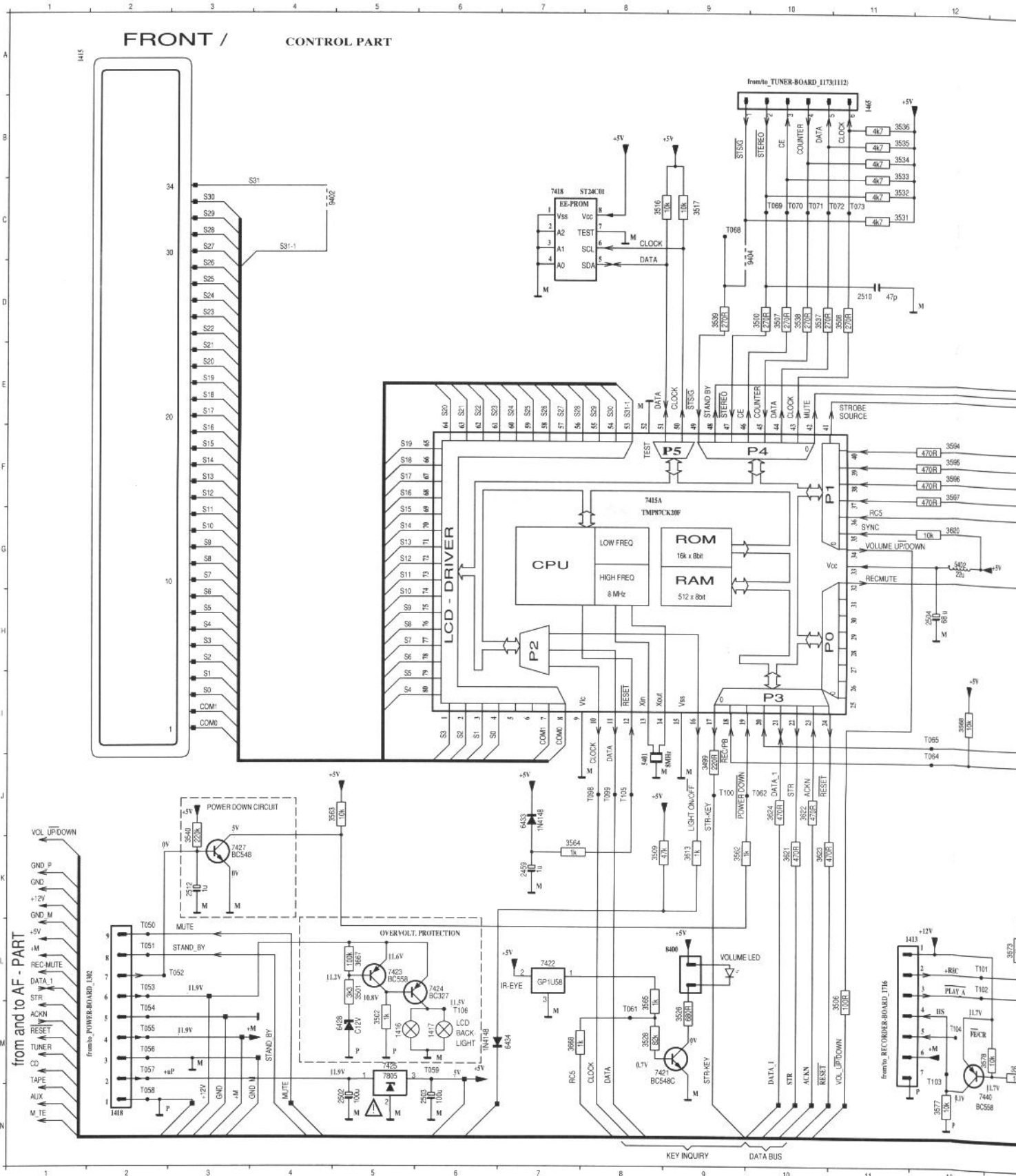
| | | | | | | | | | | | | | | | | | | | | |
|------|-----|------|-----|------|-----|------|-----|------|-----|------|-----|------|----|------|-----|------|-----|------|-----|------|
| 1401 | B2 | 2406 | G4 | 2422 | F10 | 2440 | G15 | 2461 | I8 | 2481 | K4 | 3406 | D2 | 3424 | C8 | 3442 | E17 | 3460 | G15 | 3478 |
| 1402 | E2 | 2407 | I4 | 2425 | D11 | 2441 | D16 | 2462 | I8 | 2483 | E11 | 3407 | D3 | 3425 | C8 | 3443 | B16 | 3461 | C15 | 3480 |
| 1404 | H2 | 2408 | I4 | 2426 | F11 | 2442 | F16 | 2463 | I8 | 2484 | G11 | 3408 | D3 | 3426 | E9 | 3444 | H16 | 3462 | H15 | 3480 |
| 1405 | F1 | 2409 | D6 | 2427 | C11 | 2443 | E15 | 2464 | C11 | 2485 | E13 | 3409 | G3 | 3427 | D9 | 3445 | C16 | 3463 | C18 | 3480 |
| 1407 | L2 | 2410 | D8 | 2428 | E11 | 2444 | F15 | 2465 | I19 | 2552 | K4 | 3410 | G3 | 3428 | F9 | 3446 | H16 | 3464 | F18 | 3481 |
| 1408 | L6 | 2411 | E6 | 2429 | B16 | 2445 | E16 | 2466 | E18 | 2553 | L4 | 3413 | I3 | 3431 | D11 | 3447 | C16 | 3465 | C19 | 3481 |
| 1409 | J16 | 2412 | E8 | 2430 | H16 | 2446 | F16 | 2468 | I11 | 2554 | J15 | 3414 | I3 | 3432 | F11 | 3448 | G16 | 3466 | F19 | 3482 |
| 1410 | K14 | 2413 | F6 | 2431 | C15 | 2449 | C18 | 2469 | L5 | 2555 | J15 | 3415 | M4 | 3433 | D10 | 3449 | D16 | 3467 | D19 | 3482 |
| 1414 | K9 | 2414 | G8 | 2432 | H15 | 2450 | G17 | 2470 | K5 | 2556 | G17 | 3416 | L3 | 3434 | F10 | 3450 | F16 | 3470 | G19 | 3483 |
| 1419 | M2 | 2415 | G6 | 2433 | C16 | 2451 | C19 | 2471 | L5 | 2557 | C17 | 3417 | C5 | 3435 | E12 | 3451 | E16 | 3471 | E19 | 3483 |
| 1449 | D22 | 2416 | H8 | 2434 | H16 | 2452 | F19 | 2472 | L5 | 2558 | C19 | 3418 | C7 | 3436 | F12 | 3452 | F16 | 3472 | H19 | 3484 |
| 2401 | B3 | 2417 | D7 | 2435 | C15 | 2453 | E20 | 2473 | L5 | 3401 | B3 | 3419 | C5 | 3437 | G12 | 3453 | E15 | 3473 | E17 | 3484 |
| 2402 | B3 | 2418 | H9 | 2436 | G15 | 2454 | H19 | 2475 | C6 | 3402 | B3 | 3420 | C7 | 3438 | G12 | 3456 | F15 | 3474 | E17 | 3485 |
| 2403 | D3 | 2419 | D10 | 2437 | C16 | 2455 | C18 | 2476 | C19 | 3403 | C2 | 3421 | C6 | 3439 | C17 | 3457 | D15 | 3475 | C10 | 3485 |
| 2404 | D3 | 2420 | F10 | 2438 | G16 | 2456 | F18 | 2477 | L3 | 3404 | C3 | 3422 | C7 | 3440 | G17 | 3458 | F15 | 3476 | E10 | 3486 |
| 2405 | G4 | 2421 | D10 | 2439 | D15 | 2460 | H8 | 2480 | J5 | 3405 | D2 | 3423 | C6 | 3441 | E17 | 3459 | C15 | 3477 | K19 | 3487 |



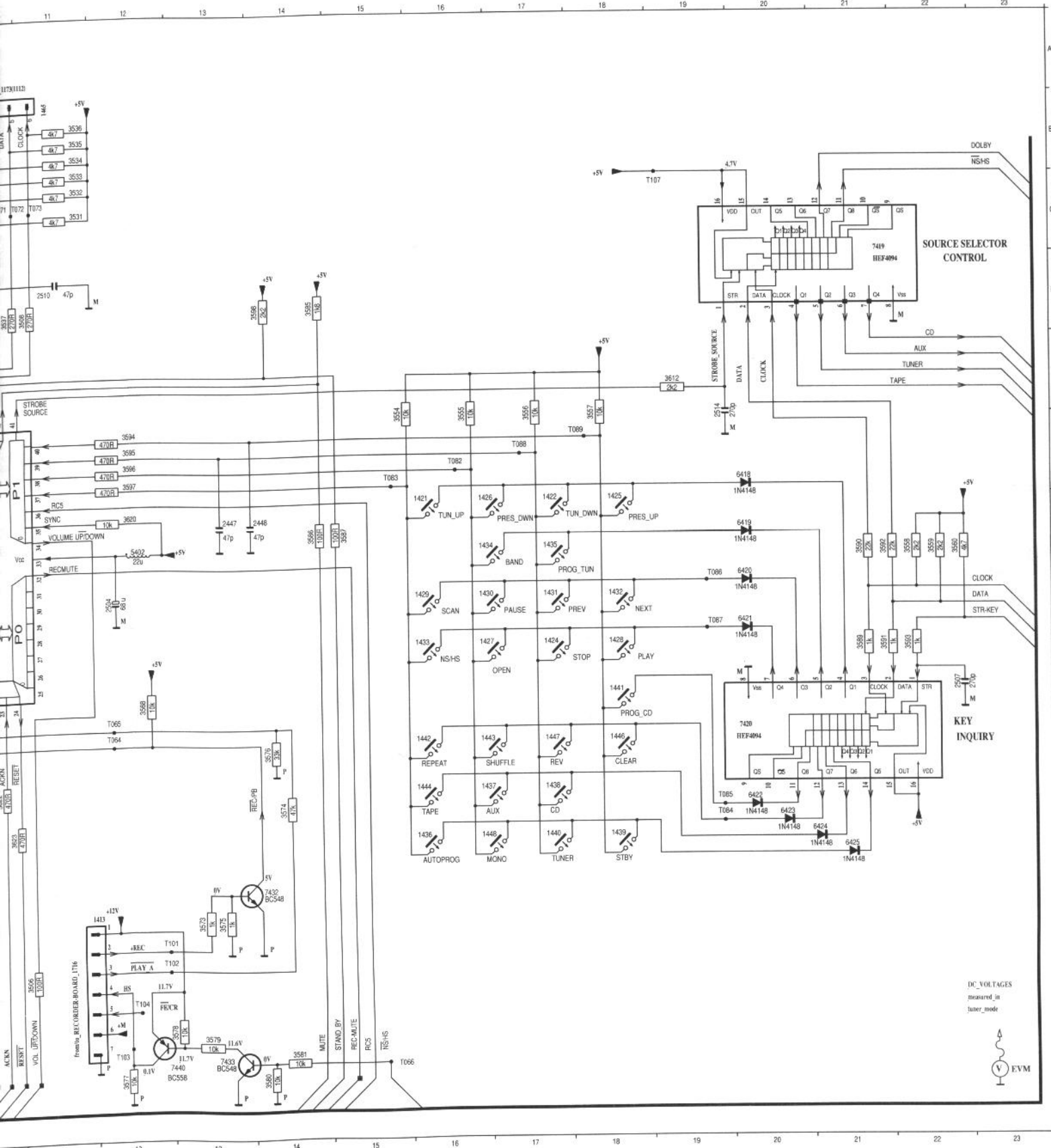
| | | | | | | | | | | | | | | | | | | | | | |
|----|-----|------|-----|------|-----|------|-----|------|-----|------|-----|------|-----|------|-----|------|----|------|-----|------|-----|
| 02 | E17 | 3460 | G15 | 3478 | J17 | 3488 | K7 | 3606 | J12 | 3660 | K3 | 6407 | G6 | 7407 | E11 | T006 | D2 | T024 | L2 | T041 | K15 |
| 03 | B16 | 3461 | C15 | 3480 | C20 | 3489 | K8 | 3607 | H13 | 3661 | M3 | 6408 | G8 | 7408 | J18 | T007 | D2 | T025 | L2 | T042 | K20 |
| 04 | H16 | 3462 | H15 | 3480 | J19 | 3490 | B12 | 3608 | H11 | 3662 | F13 | 6409 | H5 | 7409 | J18 | T008 | D2 | T026 | M2 | T043 | H1 |
| 05 | C16 | 3463 | C18 | 3480 | G20 | 3491 | J17 | 3609 | I11 | 3663 | E13 | 6410 | H7 | 7410 | J18 | T009 | E2 | T027 | M2 | T044 | J9 |
| 06 | H16 | 3464 | F18 | 3481 | B14 | 3492 | I18 | 3610 | B19 | 3664 | I18 | 6411 | H5 | 7411 | J20 | T010 | E2 | T028 | B8 | T046 | J10 |
| 07 | C16 | 3465 | C19 | 3481 | I14 | 3493 | I18 | 3615 | B8 | 3665 | K19 | 6412 | H7 | 7412 | J20 | T011 | E2 | T029 | C10 | | |
| 08 | G16 | 3466 | F19 | 3482 | B14 | 3494 | I19 | 3616 | I19 | 3670 | J4 | 6414 | H7 | 7413 | J20 | T014 | G3 | T030 | E10 | | |
| 09 | D16 | 3469 | D19 | 3482 | H14 | 3495 | I19 | 3617 | I20 | 3671 | K3 | 6415 | H6 | 7445 | H12 | T015 | G3 | T032 | J16 | | |
| 10 | F16 | 3470 | G19 | 3483 | G14 | 3496 | I20 | 3618 | J21 | 3676 | J4 | 6416 | H8 | 7446 | H11 | T016 | G3 | T033 | J16 | | |
| 11 | E16 | 3471 | E19 | 3483 | C14 | 3497 | I21 | 3649 | L4 | 5405 | J8 | 6442 | I11 | 7447 | L4 | T017 | G3 | T034 | K16 | | |
| 12 | F16 | 3472 | H19 | 3484 | G14 | 3498 | J21 | 3650 | L4 | 6402 | D8 | 6453 | H20 | 7448 | K4 | T018 | H2 | T036 | D21 | | |
| 13 | E15 | 3473 | E17 | 3484 | D14 | 3601 | D10 | 3651 | L4 | 6403 | D6 | 7403 | G18 | T001 | B2 | T019 | I2 | T037 | D21 | | |
| 14 | F15 | 3474 | E17 | 3485 | D15 | 3602 | F10 | 3652 | L5 | 6404 | E8 | 7403 | D18 | T002 | B2 | T020 | I2 | T038 | G21 | | |
| 15 | D15 | 3475 | C10 | 3485 | F15 | 3603 | E10 | 3653 | L5 | 6404 | E8 | 7403 | D18 | T003 | B3 | T021 | J2 | T039 | J19 | | |
| 16 | F15 | 3476 | E10 | 3486 | K7 | 3604 | G10 | 3654 | L5 | 6405 | F6 | 7406 | I21 | T004 | B2 | T022 | K2 | T039 | J19 | | |
| 17 | C15 | 3477 | K19 | 3487 | K7 | 3605 | J12 | 3655 | L3 | 6406 | F8 | 7407 | D11 | T005 | C2 | T023 | K2 | T040 | J19 | | |



| | | | | | | | | |
|----------|----------|----------|----------|----------|----------|----------|----------|----------|
| 1413 L12 | 1428 H18 | 1439 K18 | 2502 N5 | 3506 L11 | 3534 B11 | 3558 G22 | 3575 L13 | 3590 G21 |
| 1415 A1 | 1429 H16 | 1440 K17 | 2503 N6 | 3507 D10 | 3535 B11 | 3559 G22 | 3576 J14 | 3591 H21 |
| 1416 M5 | 1430 H16 | 1441 I18 | 2504 H12 | 3508 D11 | 3536 B11 | 3560 G22 | 3577 N12 | 3592 G21 |
| 1417 M6 | 1431 H17 | 1442 J16 | 2507 I22 | 3509 K8 | 3537 D10 | 3562 K9 | 3578 M13 | 3593 H22 |
| 1418 N2 | 1432 H18 | 1443 J16 | 2510 D11 | 3516 C8 | 3538 D10 | 3563 J5 | 3579 M13 | 3594 F12 |
| 1421 G16 | 1433 H16 | 1444 J16 | 2512 K3 | 3517 C9 | 3539 D9 | 3565 M8 | 3580 N14 | 3595 F12 |
| 1422 G17 | 1434 G16 | 1446 J18 | 2514 E19 | 3526 M9 | 3540 J3 | 3566 I12 | 3581 M14 | 3596 F12 |
| 1424 H17 | 1435 G17 | 1447 J17 | 3499 J9 | 3528 M8 | 3554 E15 | 3568 I12 | 3585 D14 | 3597 F12 |
| 1425 G18 | 1436 K16 | 1448 K16 | 3500 D10 | 3531 C11 | 3555 E16 | 3572 D11 | 3586 G14 | 3598 D14 |
| 1426 G16 | 1437 J16 | 1465 A11 | 3501 L5 | 3532 C11 | 3556 E17 | 3573 L13 | 3587 G15 | 3598 E19 |
| 1427 H16 | 1438 J17 | 2459 K7 | 3502 M5 | 3533 B11 | 3557 E18 | 3574 J14 | 3589 H21 | 3613 K9 |



| | | | | | | | | |
|----------|----------|----------|----------|----------|----------|----------|----------|----------|
| 3575 L13 | 3590 G21 | 3620 G12 | 6420 H20 | 7419 C21 | 8400 L9 | T058 N2 | T072 C11 | T098 J8 |
| 3576 J14 | 3591 H21 | 3621 K10 | 6421 H20 | 7420 I20 | 9402 C4 | T059 M6 | T073 C11 | T099 J8 |
| 3577 N12 | 3592 G21 | 3622 J10 | 6422 J20 | 7421 M8 | 9404 C10 | T061 M8 | T078 E12 | T100 J9 |
| 3578 M13 | 3593 H22 | 3623 K10 | 6423 K20 | 7422 L7 | T050 L2 | T062 J10 | T082 F16 | T101 L2 |
| 3579 N14 | 3594 F12 | 3624 J10 | 6424 K21 | 7423 L5 | T051 L2 | T064 I12 | T083 F15 | T102 L12 |
| 3580 M14 | 3595 F12 | 3627 L5 | 6425 K21 | 7424 L6 | T052 L3 | T065 I12 | T084 J19 | T103 M12 |
| 3581 D14 | 3596 F12 | 3668 M7 | 6428 M5 | 7425 M5 | T053 L2 | T066 N15 | T085 J19 | T104 M12 |
| 3585 G14 | 3597 F12 | 5401 J8 | 6433 J7 | 7427 K3 | T054 M2 | T068 C9 | T086 H19 | T105 J8 |
| 3586 G14 | 3598 D14 | 5402 G12 | 6434 M7 | 7427 K3 | T055 M2 | T069 C10 | T087 H19 | T106 M6 |
| 3587 G15 | 3612 E19 | 6418 F20 | 7415A F8 | 7433 N13 | T056 M2 | T070 C10 | T088 F17 | T107 C19 |
| 3589 H21 | 3613 K9 | 6419 G20 | 7418 C7 | 7440 N13 | T057 M2 | T071 C10 | T089 F18 | |

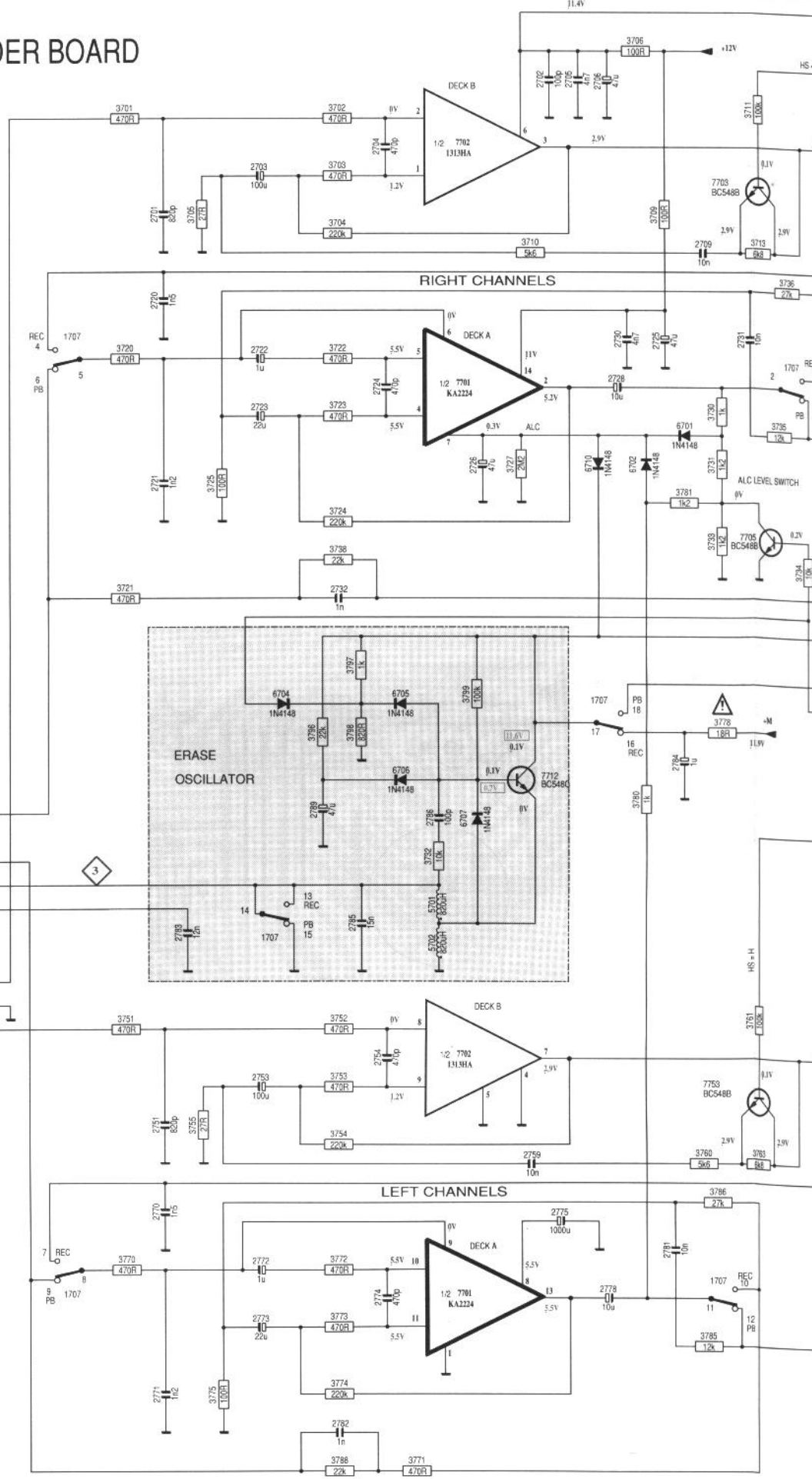


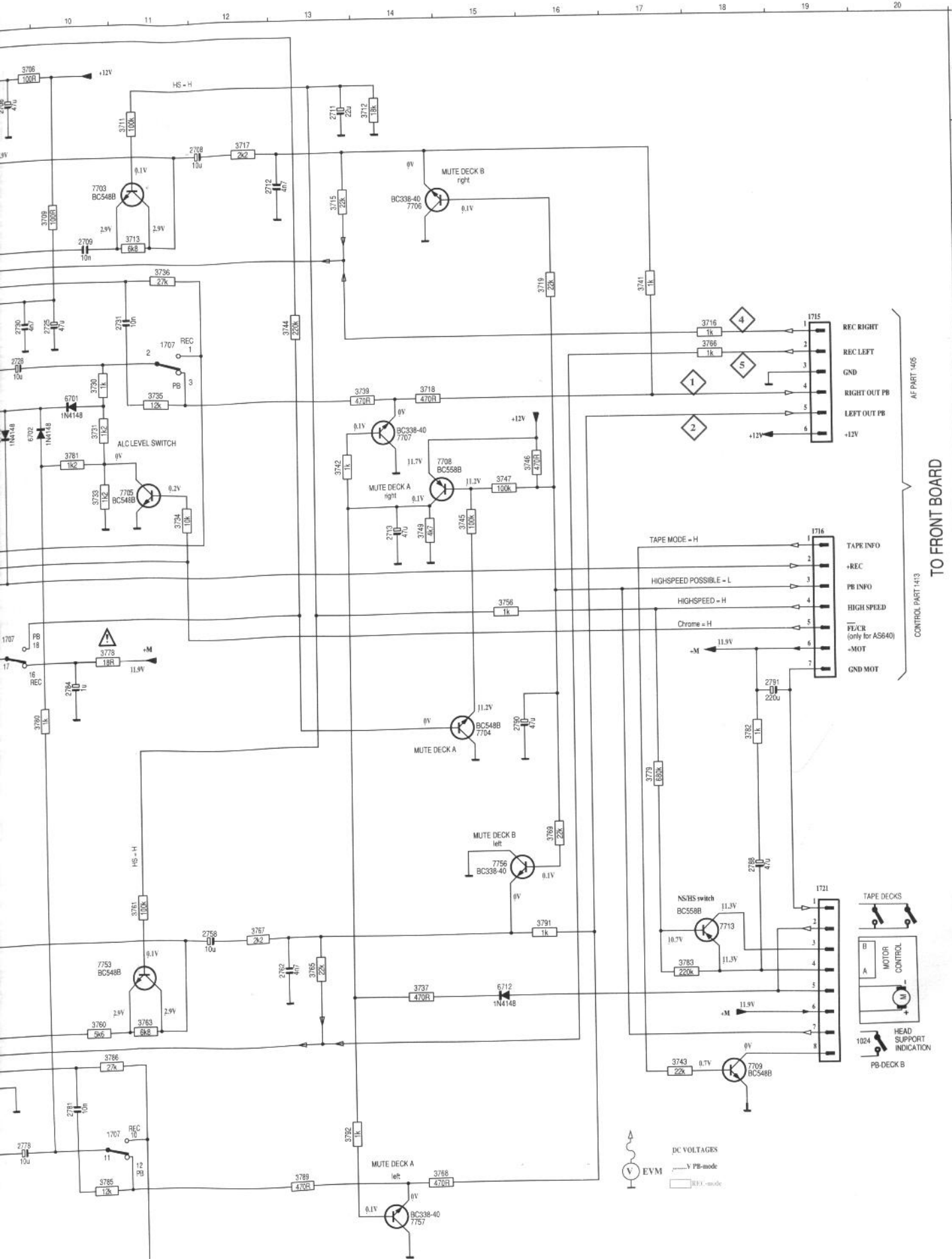
DC VOLTAGES
measured in
tuner mode

EVM

RECORDER BOARD

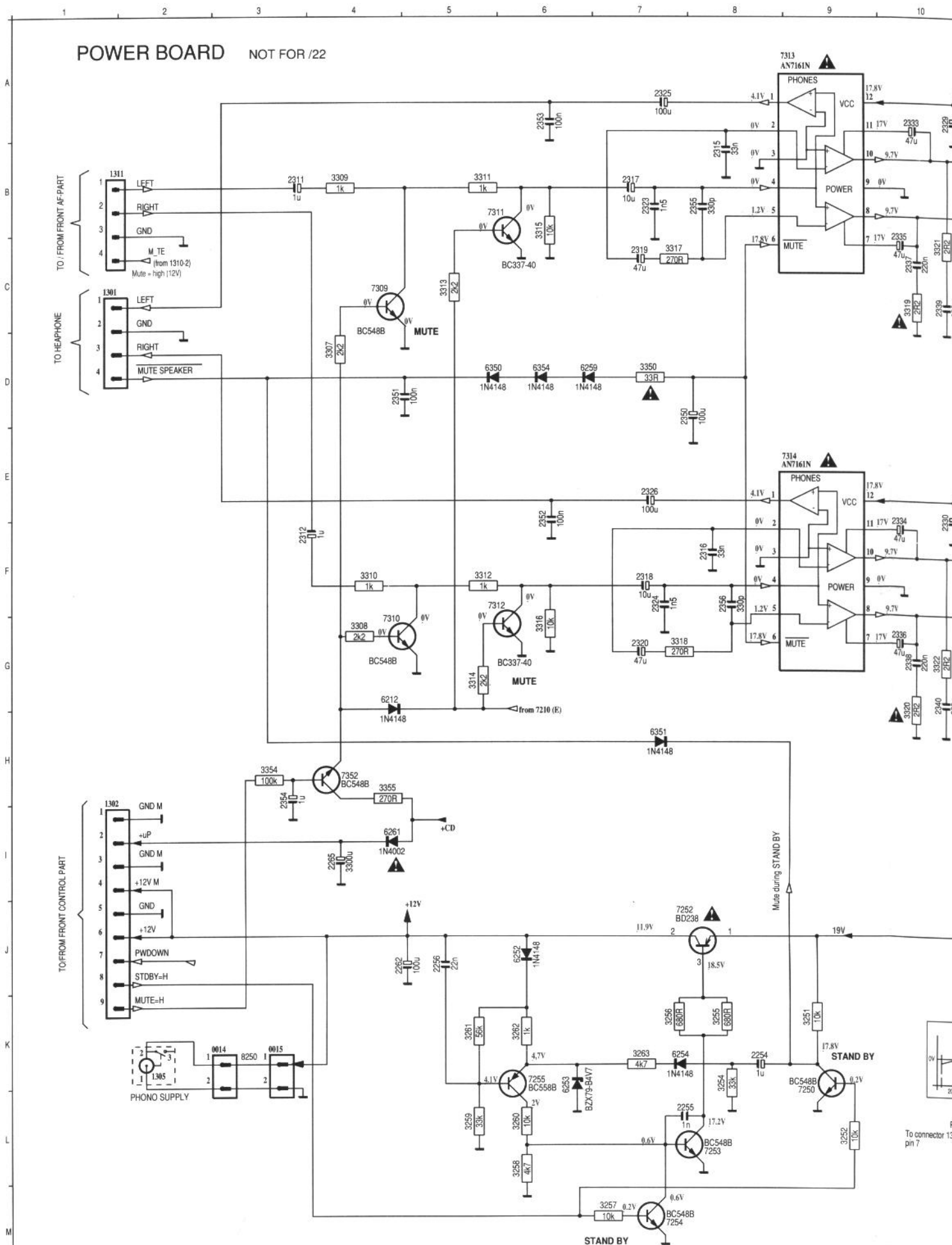
A
B
C
D
E
F
G
H
I
J
K
L
M
N
O



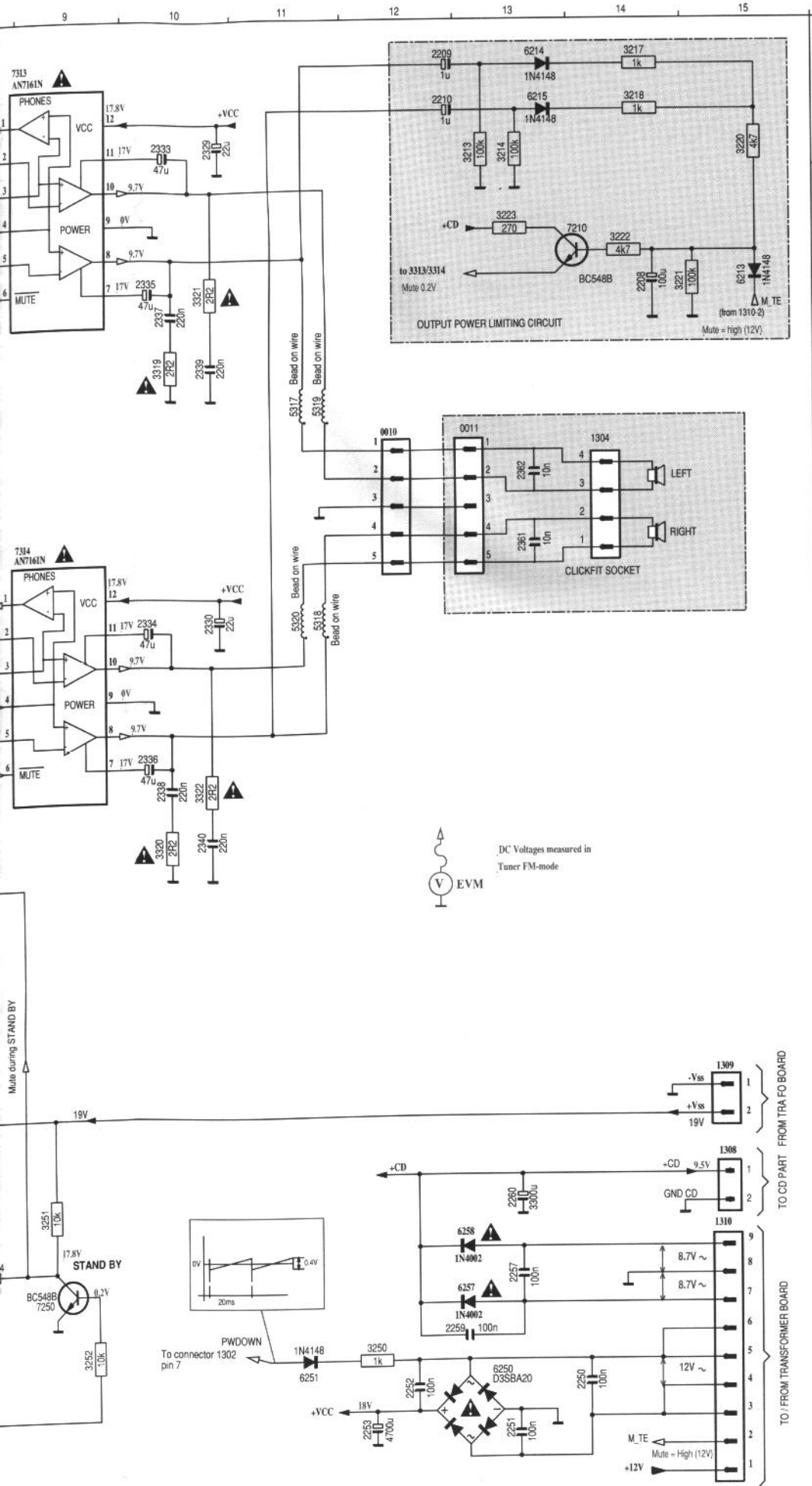


- AF PART: 405
- CONTROL PART: 1413
- TO FRONT BOARD
- 1707 D11
 - 1707 M10
 - 1707 N 4
 - 1707 J 6
 - 1707 G 9
 - 1707 D 4
 - 1713 I 2
 - 1714 J 2
 - 1715 D18
 - 1716 F19
 - 1721 K19
 - 2701 B 5
 - 2702 A 9
 - 2703 B 6
 - 2705 A 9
 - 2706 A 8
 - 2708 B12
 - 2709 C10
 - 2711 A13
 - 2712 B13
 - 2713 F14
 - 2720 C 5
 - 2721 E 5
 - 2722 D 6
 - 2723 E 6
 - 2724 D 7
 - 2725 D10
 - 2726 E 8
 - 2728 D 9
 - 2730 D 9
 - 2731 D11
 - 2732 F 6
 - 2751 L 5
 - 2753 L 5
 - 2754 K 7
 - 2756 K12
 - 2759 L 8
 - 2762 L13
 - 2770 M 5
 - 2771 O 5
 - 2772 M 6
 - 2773 N 6
 - 2774 N 7
 - 2775 M 9
 - 2778 N 9
 - 2781 M10
 - 2782 O 6
 - 2783 J 4
 - 2784 H10
 - 2785 J 7
 - 2786 J18
 - 2789 I 7
 - 2790 I15
 - 2791 H16
 - 3701 A 4
 - 3702 A 6
 - 3703 B 6
 - 3704 B 6
 - 3705 B 5
 - 3706 A 9
 - 3708 B10
 - 3710 B 8
 - 3711 A11
 - 3712 A14
 - 3713 B11
 - 3715 B13
 - 3716 D18
 - 3717 B12
 - 3718 F14
 - 3719 C16
 - 3720 D 4
 - 3721 F 4
 - 3722 D 6
 - 3723 D 6
 - 3724 F 6
 - 3725 E 5
 - 3727 E 8
 - 3730 E10
 - 3731 E10
 - 3732 I 8
 - 3733 F10
 - 3734 F11
 - 3735 C11
 - 3736 C11
 - 3737 L14
 - 3738 F 6
 - 3739 E14
 - 3741 C17
 - 3742 F13
 - 3743 M17
 - 3744 D15
 - 3745 F15
 - 3746 F16
 - 3747 F15
 - 3749 F14
 - 3751 K 4
 - 3752 K 6
 - 3753 K 6
 - 3754 L 6
 - 3755 L 5
 - 3756 G15
 - 3760 L10
 - 3761 K11
 - 3763 L11
 - 3765 L18
 - 3766 D18
 - 3767 K12
 - 3768 N14
 - 3769 J16
 - 3770 M 4
 - 3771 O 7
 - 3772 M 6
 - 3773 N 6
 - 3774 O 6
 - 3775 O 5
 - 3778 H10
 - 3779 I17
 - 3780 I 9
 - 3781 E10
 - 3782 I18
 - 3783 L17
 - 3785 M10
 - 3786 M10
 - 3788 O 6
 - 3789 M13
 - 3791 K18
 - 3792 N13
 - 3796 H 6
 - 3797 G 7
 - 3798 H 7
 - 3799 G 8
 - 5701 J 8
 - 5702 J 8
 - 6708 E10
 - 6702 E 9
 - 6704 H 6
 - 6705 H 7
 - 6706 H 7
 - 6707 I 8
 - 6710 E 9
 - 6712 L15
 - 7701 N 8
 - 7701 D 8
 - 7706 B 8
 - 7702 K 8
 - 7703 B10
 - 7704 I15
 - 7705 F11
 - 7706 B14
 - 7707 E14
 - 7708 F14
 - 7709 M18
 - 7712 H 9
 - 7713 K18
 - 7753 K10
 - 7756 J15
 - 7757 O14

POWER BOARD NOT FOR /22



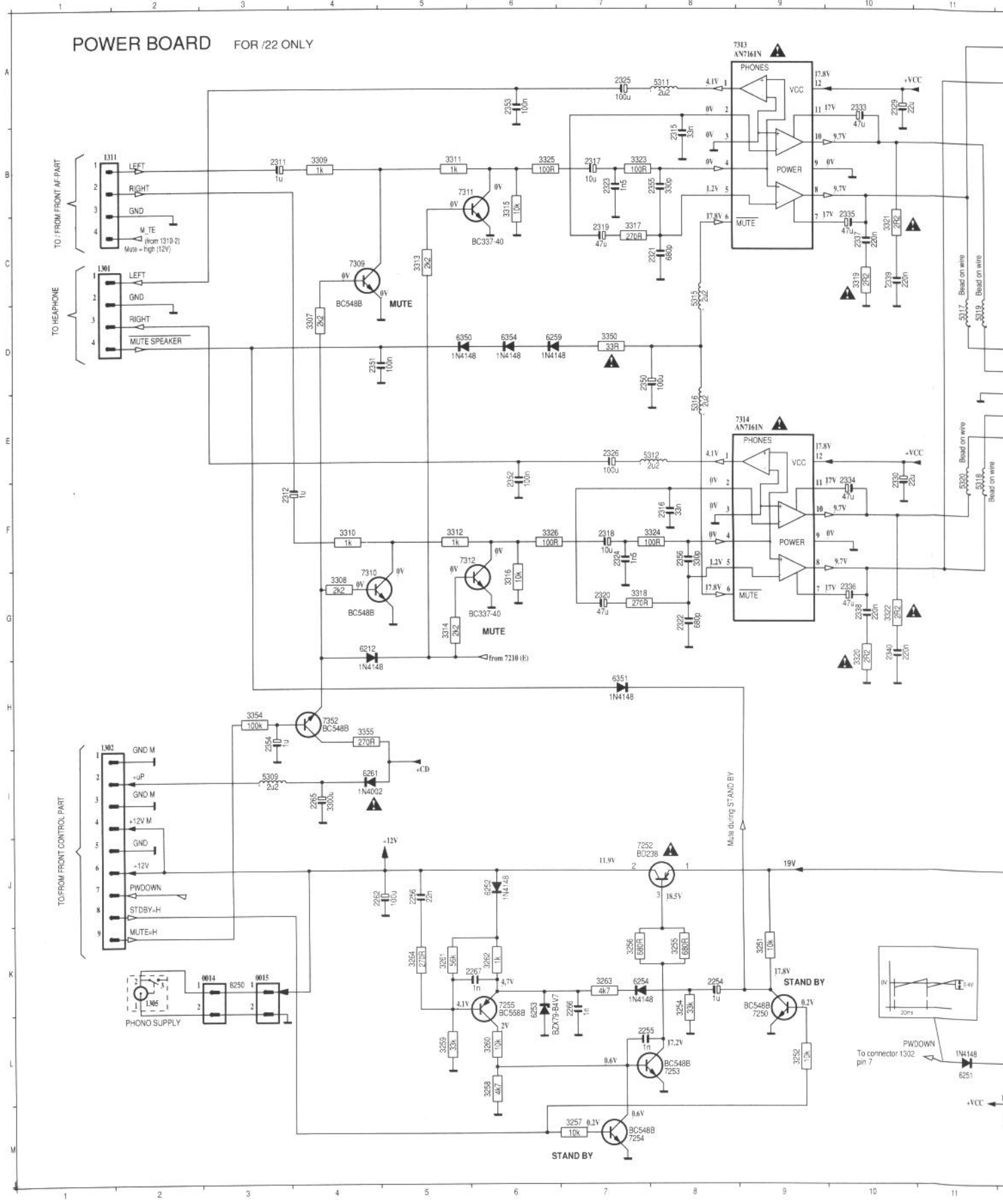
To connector 1301 pin 7



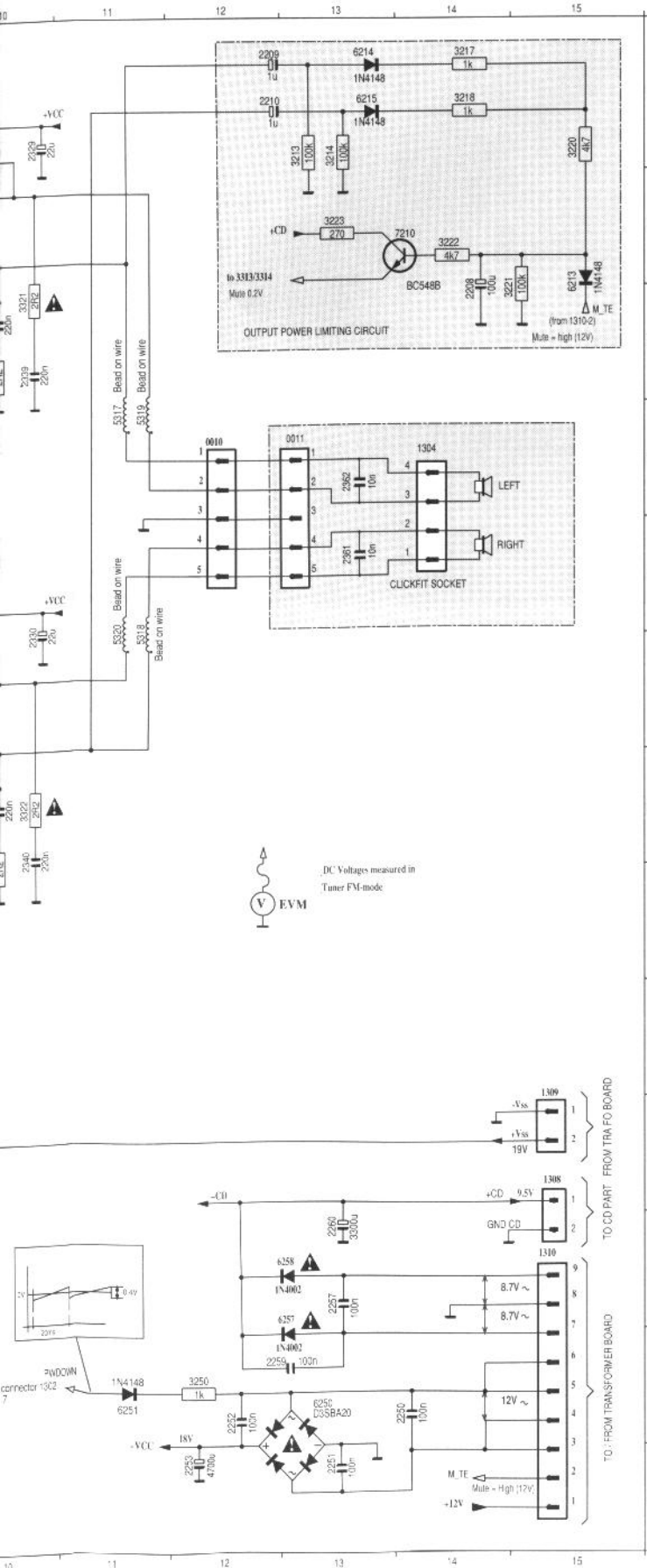
| | | | |
|------|-----|------|-----|
| 0010 | D12 | 3311 | B5 |
| 0011 | D13 | 3312 | F5 |
| 0014 | K2 | 3313 | C5 |
| 0015 | K3 | 3314 | G5 |
| | | 3315 | C6 |
| 1301 | D1 | 3316 | G6 |
| 1302 | I2 | 3317 | C7 |
| 1304 | D14 | 3318 | G7 |
| 1305 | K2 | 3319 | C10 |
| 1308 | L11 | 3320 | G10 |
| 1310 | J15 | 3321 | C10 |
| 1311 | B1 | 3322 | G10 |
| | | 3323 | B7 |
| 2208 | C14 | 3324 | F7 |
| 2209 | A12 | 3325 | B6 |
| 2210 | A12 | 3326 | F6 |
| 2250 | K13 | 3349 | D13 |
| 2251 | K13 | 3350 | D7 |
| 2252 | J12 | 3354 | H3 |
| 2253 | K12 | 3355 | H4 |
| 2254 | K8 | | |
| 2255 | L7 | 5309 | I3 |
| 2256 | J5 | 5311 | A8 |
| 2257 | L13 | 5312 | E8 |
| 2259 | L12 | 5315 | D8 |
| 2260 | L12 | 5316 | E8 |
| 2262 | J4 | 5317 | D11 |
| 2265 | I4 | 5318 | E11 |
| 2311 | B3 | 5319 | D11 |
| 2312 | F3 | 5320 | E11 |
| 2315 | B8 | | |
| 2316 | F8 | 6212 | H5 |
| 2317 | B7 | 6213 | B15 |
| 2318 | F7 | 6214 | A13 |
| 2319 | C7 | 6215 | A13 |
| 2320 | G7 | 6250 | J13 |
| 2323 | B7 | 6251 | J10 |
| 2324 | F7 | 6252 | J6 |
| 2325 | A7 | 6253 | K6 |
| 2326 | E7 | 6254 | K7 |
| 2327 | A8 | 6257 | L13 |
| 2328 | E8 | 6258 | N11 |
| 2329 | A10 | 6259 | D6 |
| 2330 | E10 | 6261 | I4 |
| 2333 | A10 | 6270 | I10 |
| 2334 | F10 | 6350 | D5 |
| 2335 | C10 | 6351 | I7 |
| 2336 | G10 | 6354 | D6 |
| 2337 | C10 | | |
| 2338 | G10 | 7210 | B14 |
| 2339 | C10 | 7250 | K9 |
| 2340 | G10 | 7252 | J8 |
| 2345 | E13 | 7253 | L8 |
| 2346 | D13 | 7254 | M7 |
| 2350 | D7 | 7255 | K6 |
| 2351 | D3 | 7309 | C4 |
| 2352 | D3 | 7310 | G4 |
| 2353 | C3 | 7311 | B5 |
| 2354 | H4 | 7312 | F5 |
| 2355 | B8 | 7313 | A9 |
| 2356 | F8 | 7314 | E9 |
| 2361 | E13 | 7352 | H4 |
| 2362 | D13 | | |
| 3213 | A13 | | |
| 3214 | A13 | | |
| 3217 | A14 | | |
| 3218 | A15 | | |
| 3221 | C15 | | |
| 3222 | B14 | | |
| 3223 | B13 | | |
| 3250 | J10 | | |
| 3251 | K9 | | |
| 3252 | L9 | | |
| 3254 | K8 | | |
| 3255 | K8 | | |
| 3256 | K7 | | |
| 3257 | M7 | | |
| 3258 | L6 | | |
| 3259 | L5 | | |
| 3260 | L6 | | |
| 3261 | K5 | | |
| 3262 | K6 | | |
| 3263 | K7 | | |
| 3270 | I10 | | |
| 3307 | D4 | | |
| 3308 | G4 | | |
| 3309 | B4 | | |
| 3310 | F4 | | |

| | | | | | | | | | | | | | | | | | | | | | | | | | | | | | | | | | | | | | | | | | | | | | | | | | | | | | | | | | | | | | | | | | | | | | | | | | | | | | | | | | | | | | | | | | | | | | | | | | | | | | | | | | | | | | | | | | | | | | | | | | | | | | | | | | | | | | | | | | | | | | | | | | | | | | | | | | | | | | | | | | | | | | | | | | | | | | | | | | | | | | | | | | | | | | | | |
|------|-----|------|----|------|-----|------|----|------|----|------|----|------|----|------|-----|------|----|------|-----|------|-----|------|----|------|----|------|----|------|-----|------|-----|------|----|------|-----|------|----|------|----|------|----|------|----|------|----|------|----|------|----|------|----|------|----|------|-----|------|-----|------|----|------|----|------|----|------|----|------|----|------|----|------|----|------|----|------|----|------|----|------|----|------|----|------|----|------|----|------|----|------|----|------|----|------|----|------|----|------|----|------|----|------|----|------|----|------|----|------|----|------|----|------|----|------|----|------|----|------|----|------|----|------|----|------|----|------|----|------|----|------|----|------|----|------|----|------|----|------|----|------|----|------|----|------|----|------|----|------|----|------|----|------|----|------|----|------|----|------|----|------|----|------|----|------|----|------|----|------|----|------|----|------|----|------|----|------|----|------|----|------|----|------|----|------|----|------|----|------|----|------|----|------|----|
| 0010 | D12 | 1305 | K2 | 2210 | A12 | 2256 | J5 | 2267 | K5 | 2319 | C7 | 2326 | E7 | 2336 | G10 | 2352 | F6 | 3213 | A13 | 3223 | B13 | 3257 | M7 | 3264 | K5 | 3312 | F5 | 3319 | C10 | 3320 | G10 | 3321 | F5 | 3322 | G10 | 3323 | F6 | 3324 | K5 | 3325 | F6 | 3326 | K5 | 3327 | M7 | 3328 | L6 | 3329 | L5 | 3330 | D4 | 3331 | G5 | 3332 | C10 | 3333 | G10 | 3334 | L6 | 3335 | L6 | 3336 | G4 | 3337 | C6 | 3338 | G7 | 3339 | B7 | 3340 | F8 | 3341 | F8 | 3342 | F8 | 3343 | F8 | 3344 | F8 | 3345 | F8 | 3346 | F8 | 3347 | F8 | 3348 | F8 | 3349 | F8 | 3350 | F8 | 3351 | F8 | 3352 | F8 | 3353 | F8 | 3354 | F8 | 3355 | F8 | 3356 | F8 | 3357 | F8 | 3358 | F8 | 3359 | F8 | 3360 | F8 | 3361 | F8 | 3362 | F8 | 3363 | F8 | 3364 | F8 | 3365 | F8 | 3366 | F8 | 3367 | F8 | 3368 | F8 | 3369 | F8 | 3370 | F8 | 3371 | F8 | 3372 | F8 | 3373 | F8 | 3374 | F8 | 3375 | F8 | 3376 | F8 | 3377 | F8 | 3378 | F8 | 3379 | F8 | 3380 | F8 | 3381 | F8 | 3382 | F8 | 3383 | F8 | 3384 | F8 | 3385 | F8 | 3386 | F8 | 3387 | F8 | 3388 | F8 | 3389 | F8 | 3390 | F8 | 3391 | F8 | 3392 | F8 | 3393 | F8 | 3394 | F8 | 3395 | F8 | 3396 | F8 | 3397 | F8 | 3398 | F8 | 3399 | F8 | 3400 | F8 |
|------|-----|------|----|------|-----|------|----|------|----|------|----|------|----|------|-----|------|----|------|-----|------|-----|------|----|------|----|------|----|------|-----|------|-----|------|----|------|-----|------|----|------|----|------|----|------|----|------|----|------|----|------|----|------|----|------|----|------|-----|------|-----|------|----|------|----|------|----|------|----|------|----|------|----|------|----|------|----|------|----|------|----|------|----|------|----|------|----|------|----|------|----|------|----|------|----|------|----|------|----|------|----|------|----|------|----|------|----|------|----|------|----|------|----|------|----|------|----|------|----|------|----|------|----|------|----|------|----|------|----|------|----|------|----|------|----|------|----|------|----|------|----|------|----|------|----|------|----|------|----|------|----|------|----|------|----|------|----|------|----|------|----|------|----|------|----|------|----|------|----|------|----|------|----|------|----|------|----|------|----|------|----|------|----|------|----|------|----|------|----|------|----|------|----|------|----|

POWER BOARD FOR /22 ONLY

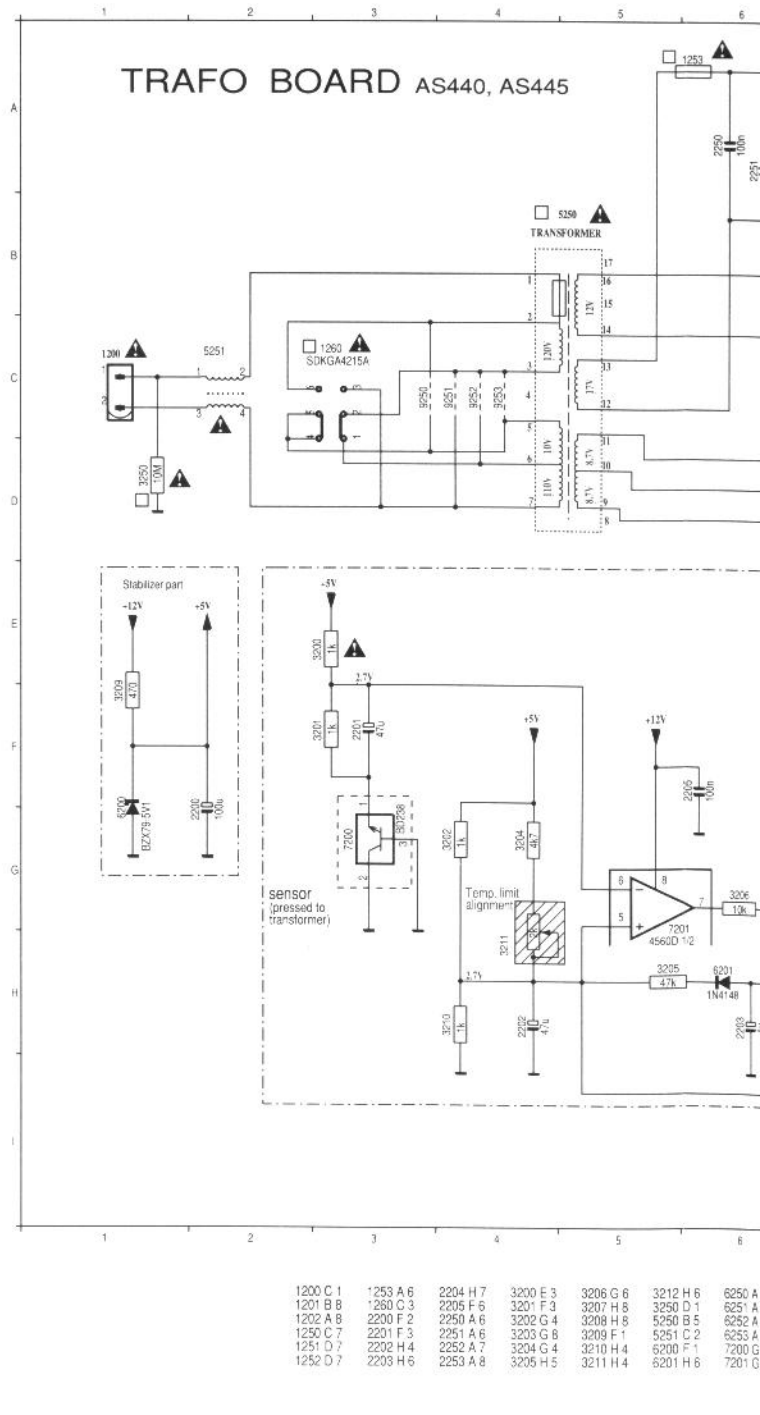


| | | | | | | | | | | | | | | | |
|------|----|------|-----|------|----|------|-----|------|-----|------|-----|------|-----|------|----|
| 3312 | F5 | 3319 | C10 | 3326 | F6 | 5315 | D8 | 6213 | B15 | 6254 | K7 | 6354 | D6 | 7309 | C4 |
| 3313 | C5 | 3320 | G10 | 3350 | D7 | 5316 | E8 | 6214 | A13 | 6257 | K13 | 7210 | B14 | 7310 | G4 |
| 3314 | G5 | 3321 | C10 | 3354 | H3 | 5317 | D11 | 6215 | A13 | 6258 | N11 | 7250 | K9 | 7311 | B5 |
| 3315 | C6 | 3322 | G10 | 3355 | H4 | 5318 | E11 | 6250 | L13 | 6259 | D6 | 7252 | J8 | 7312 | F5 |
| 3316 | G6 | 3323 | B7 | 5309 | I3 | 5319 | D11 | 6251 | L11 | 6261 | I4 | 7253 | L8 | 7313 | A9 |
| 3317 | C7 | 3324 | F8 | 5311 | A8 | 5320 | E11 | 6252 | J6 | 6350 | D5 | 7254 | M7 | 7314 | E9 |
| 3318 | G7 | 3325 | B6 | 5312 | E8 | 6212 | G4 | 6253 | K6 | 6351 | H7 | 7255 | K6 | 7352 | H4 |



Components depending on version

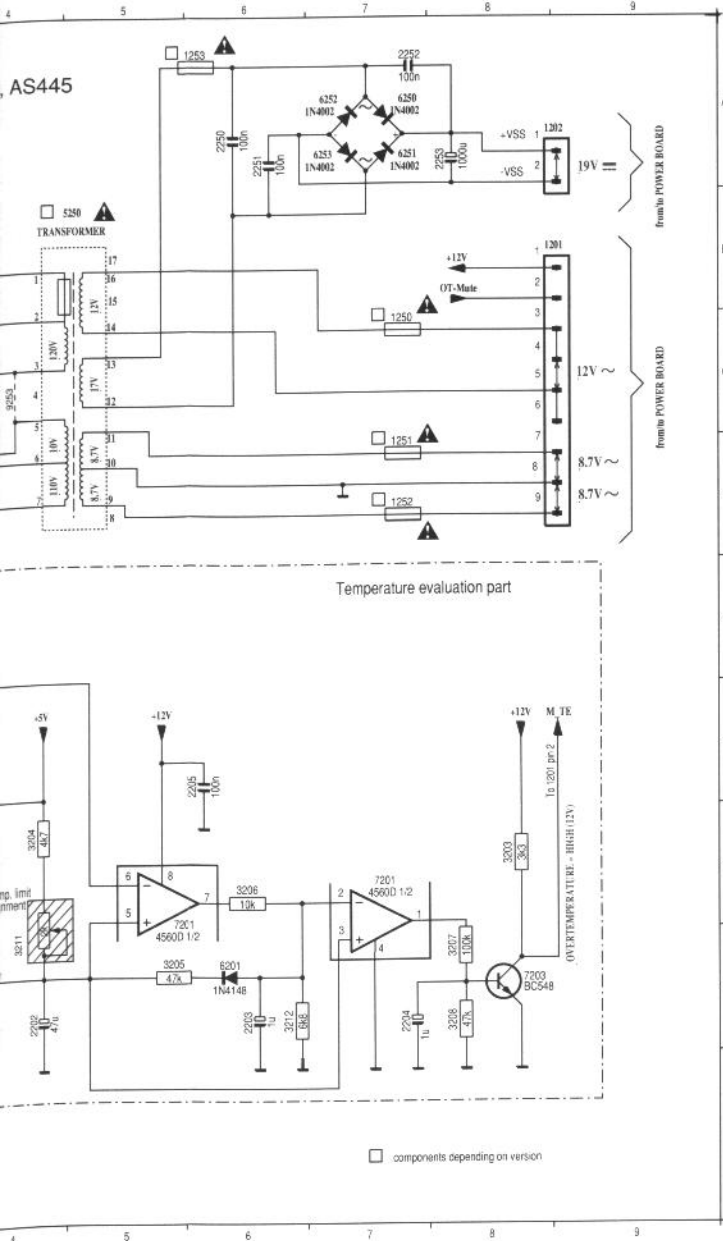
| VERSION | COMPONENTS | | | | | |
|---------------------|--------------------------|------|------|------|------|------|
| | <input type="checkbox"/> | 3250 | 1260 | 9253 | 9252 | 9251 |
| /20 (IEC 230V) | | | | | ✗ | |
| /25 (240V) | | | | ✗ | | |
| /37 (UL 120V) | | ✗ | | | | ✗ |
| /21 /30 (120V,230V) | | | ✗ | | | ✗ |



| | | | | | | | | | | | | | |
|------|-----|------|-----|------|-----|------|-----|------|-----|------|-----|------|---|
| 1200 | C 1 | 1253 | A 6 | 2204 | H 7 | 3200 | F 3 | 3206 | G 6 | 3212 | H 6 | 6250 | A |
| 1201 | B 8 | 1260 | C 3 | 2205 | F 6 | 3201 | F 3 | 3207 | H 8 | 3250 | D 1 | 6251 | A |
| 1202 | A 8 | 2200 | F 2 | 2250 | A 6 | 3202 | G 4 | 3208 | H 8 | 5250 | B 5 | 6252 | A |
| 1250 | C 7 | 2201 | F 3 | 2251 | A 6 | 3203 | G 8 | 3209 | F 1 | 5251 | C 2 | 6253 | A |
| 1251 | D 7 | 2202 | H 4 | 2252 | A 7 | 3204 | G 4 | 3210 | H 4 | 6200 | F 1 | 7200 | G |
| 1252 | D 7 | 2203 | H 5 | 2253 | A 8 | 3205 | H 5 | 3211 | H 4 | 6201 | H 6 | 7201 | G |

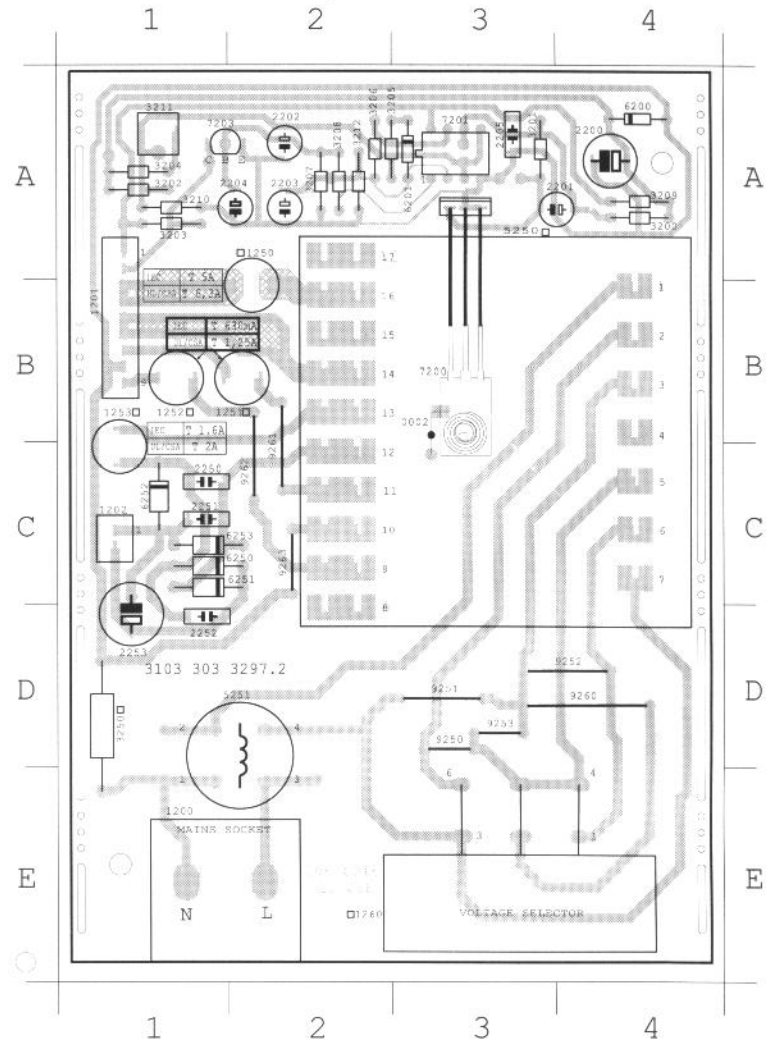
on version

| | | | | | | VALUE OF FUSE | | | |
|------|------|------|------|------|------|---------------|-------|-------|------|
| 1260 | 9253 | 9252 | 9251 | 9250 | 9260 | 1250 | 1251 | 1252 | 1253 |
| | | × | | | | 5A | 630mA | 630mA | 1.6A |
| | × | | | | | 5A | 630mA | 630mA | 1.6A |
| × | | | × | × | | 6.3A | 1.25A | 1.25A | 2A |
| × | | | | | × | 5A | 630mA | 630mA | 1.6A |



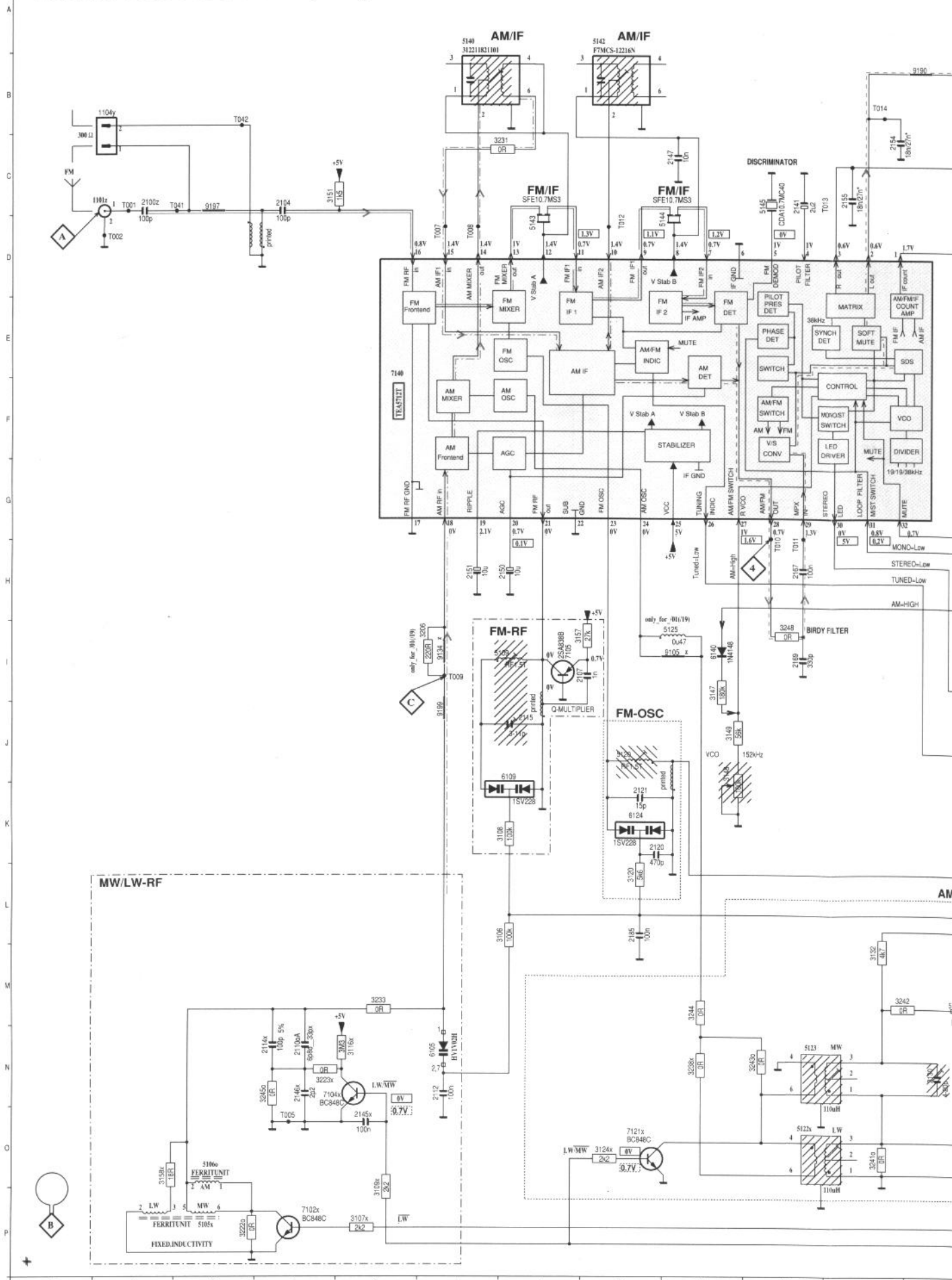
| | | | | | |
|----------|----------|----------|----------|----------|----------|
| 3200 E 3 | 3206 G 6 | 3212 H 6 | 6250 A 7 | 7201 G 5 | 9250 C 3 |
| 3201 F 3 | 3207 H 8 | 3250 D 1 | 6251 A 7 | 7203 H 8 | 9251 C 4 |
| 3202 G 4 | 3208 H 8 | 5250 B 5 | 6252 A 7 | | 9252 C 4 |
| 3203 G 8 | 3209 F 1 | 6200 F 1 | 6253 A 7 | | 9253 C 4 |
| 3204 G 4 | 3210 H 4 | 6201 H 6 | 7200 G 3 | | 9255 C 2 |
| 3205 H 5 | 3211 H 4 | 6201 H 6 | 7201 G 7 | | 9256 D 2 |

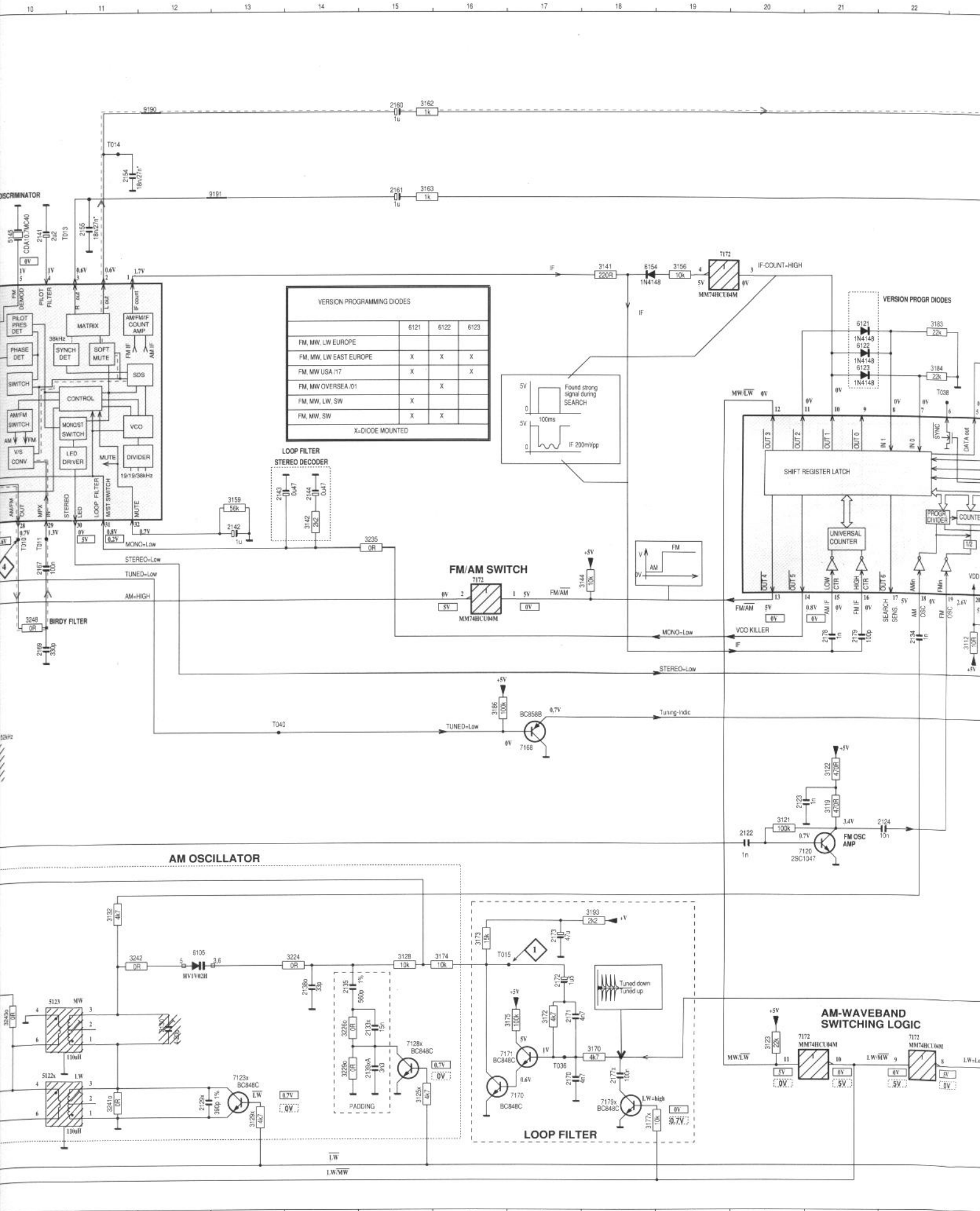
TRAF0 BOARD Component side view



| | | | | | | | |
|----------|----------|----------|----------|----------|----------|----------|----------|
| 1200 E 1 | 1260 E 4 | 2250 C 1 | 3203 A 1 | 3210 A 1 | 6201 A 3 | 7203 A 1 | 9260 D 3 |
| 1201 A 1 | 2200 A 4 | 2251 C 1 | 3204 A 1 | 3211 A 1 | 6250 C 1 | 9250 D 3 | 9261 C 2 |
| 1202 C 1 | 2201 A 4 | 2252 D 1 | 3205 A 2 | 3212 A 2 | 6251 C 1 | 9251 D 3 | 9262 C 2 |
| 1250 B 2 | 2202 A 2 | 2253 D 1 | 3206 A 2 | 3250 D 1 | 6252 C 1 | 9252 D 4 | 9263 C 2 |
| 1251 B 2 | 2203 A 2 | 3200 A 4 | 3207 A 2 | 5250 B 3 | 6253 C 1 | 9253 D 3 | |
| 1252 B 1 | 2204 A 2 | 3201 A 3 | 3208 A 2 | 5251 E 1 | 7200 A 3 | 9255 E 1 | |
| 1253 B 1 | 2205 A 3 | 3202 A 1 | 3209 A 4 | 6200 A 4 | 7201 A 3 | 9256 E 2 | |

TUNER UNIT ECO4-VA (MIDI)

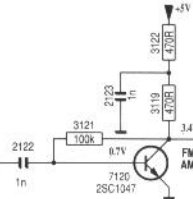
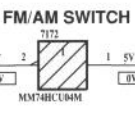
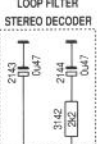
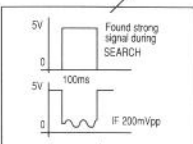




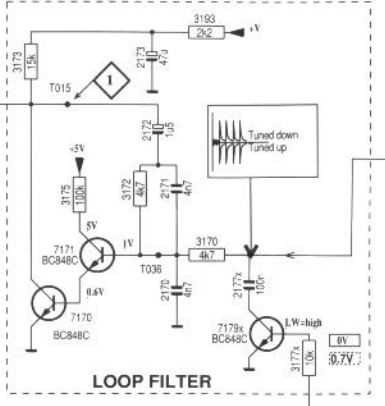
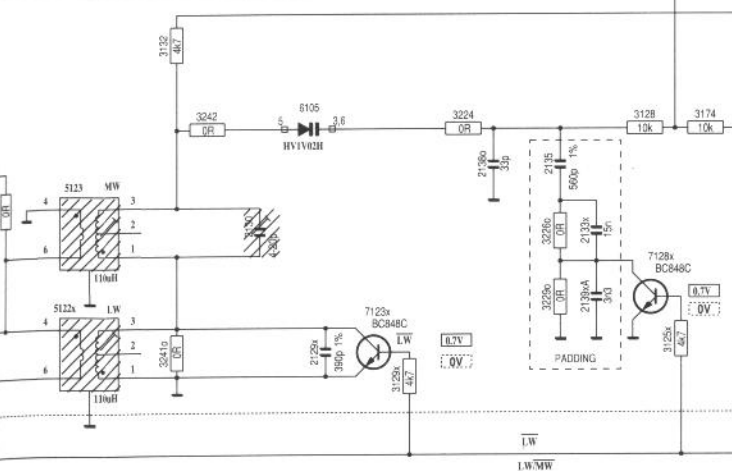
VERSION PROGRAMMING DIODES

| | | | |
|------------------------|------|------|------|
| | 6121 | 6122 | 6123 |
| FM, MW, LW EUROPE | | | |
| FM, MW, LW EAST EUROPE | X | X | X |
| FM, MW USA, 17 | X | | X |
| FM, MW OVERSEA, 01 | | X | |
| FM, MW, LW, SW | X | | |
| FM, MW, SW | X | X | |

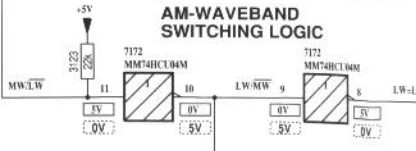
X-DIODE MOUNTED



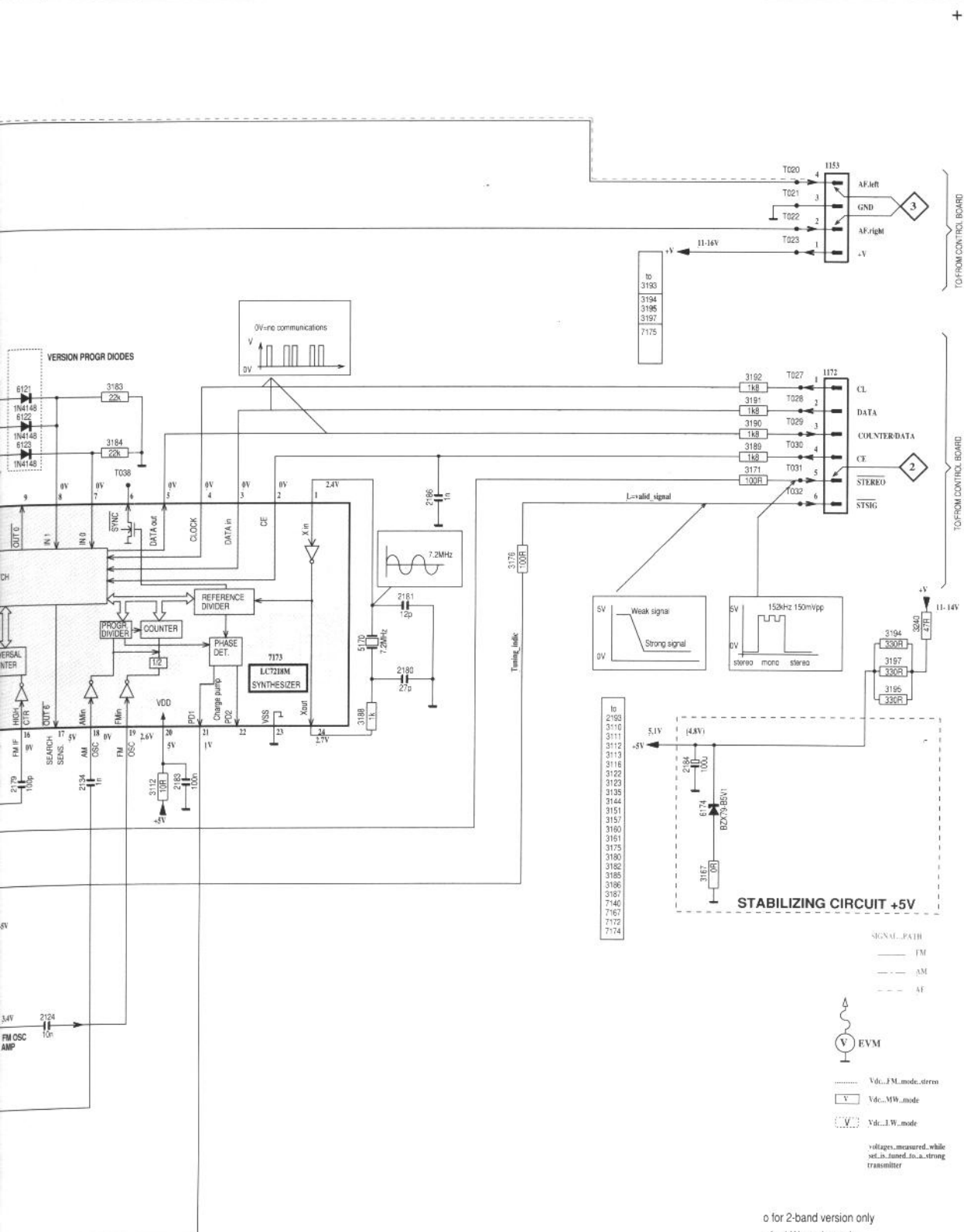
AM OSCILLATOR



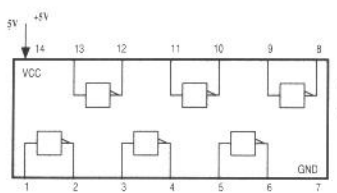
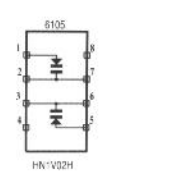
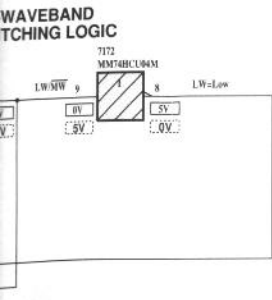
AM-WAVEBAND SWITCHING LOGIC



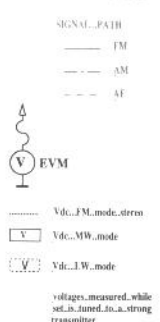
22 23 24 25 26 27 28 29 30 31



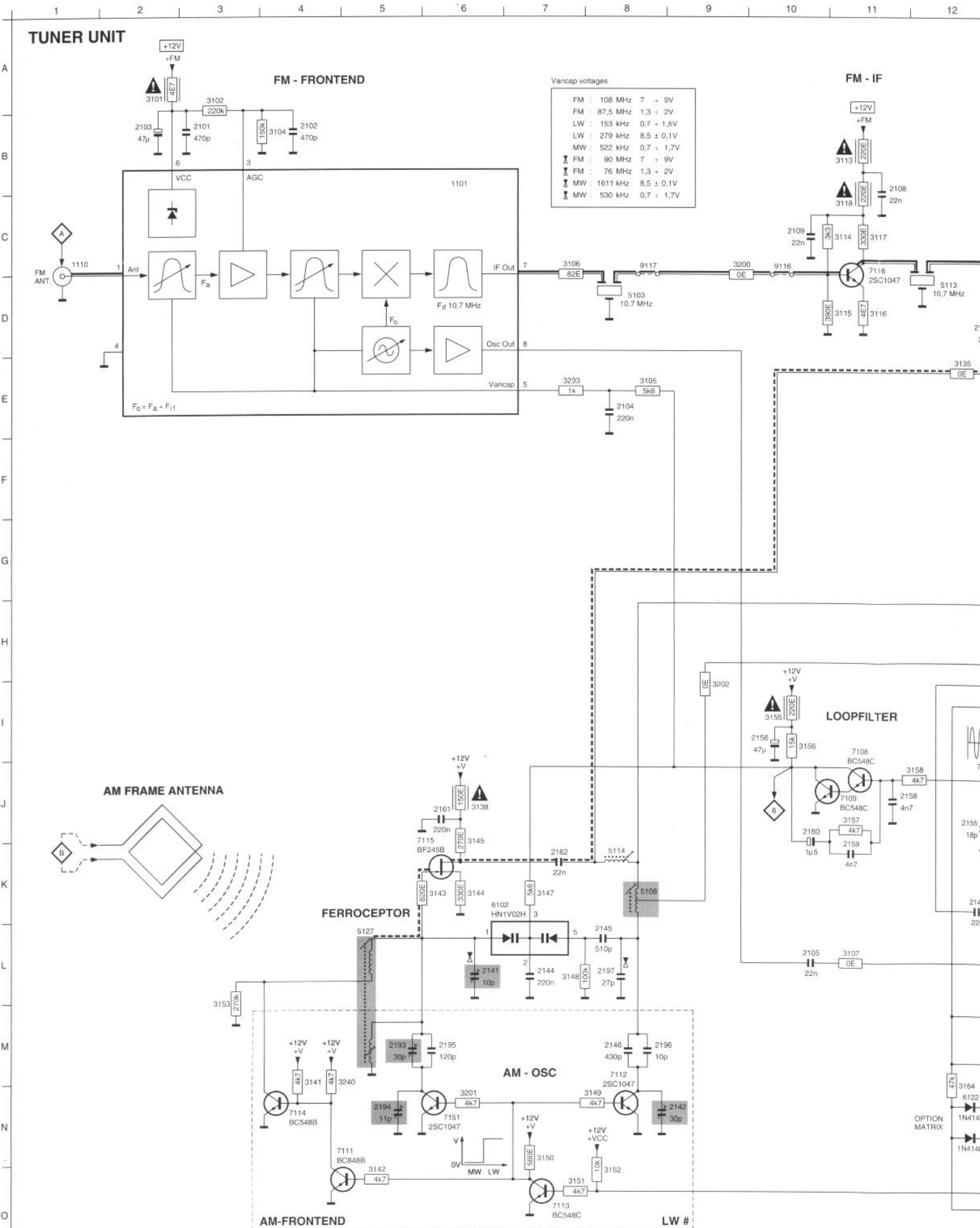
- 1101z C 1
- 1104z C 2
- 1153 B30
- 1172 D30
- 2100z C 2
- 2104 C 4
- 2107 I 8
- 2119x N 4
- 2112 N 6
- 2114x N 4
- 2115 J 7
- 2120 K 8
- 2121 K 8
- 2122 K20
- 2123 K20
- 2124 K22
- 2129x C12
- 2130 M12
- 2133x N15
- 2134 Q22
- 2135 N14
- 2138x N14
- 2138x O15
- 2141 C10
- 2142 G13
- 2143 G13
- 2144 G14
- 2145x O 5
- 2149x N 4
- 2147 C 9
- 2150 H 7
- 2151 H 6
- 2154 C11
- 2155 C12
- 2160 B15
- 2161 C15
- 2167 H10
- 2169 H10
- 2170 O17
- 2171 N17
- 2172 M17
- 2173 M17
- 2177x O18
- 2178 I21
- 2179 I21
- 2180 H25
- 2181 Q25
- 2183 Q23
- 2184 Q29
- 2185 L 8
- 2186 P26
- 3105 L 7
- 3107x P 5
- 3108 K 7
- 3109x O 5
- 3112 Q25
- 3115x L 4
- 3118 K21
- 3119 L 8
- 3121 K20
- 3122 K21
- 3123 N20
- 3124x O 8
- 3125x O15
- 3128 M15
- 3129x O13
- 3132 M12
- 3141 D18
- 3142 C14
- 3144 H18
- 3147 I 9
- 3146 L 9
- 3149 J 9
- 3151 C 4
- 3154 O19
- 3157 I 7
- 3158x O 2
- 3159 O15
- 3162 D15
- 3163 C15
- 3167 J29
- 3170 N18
- 3171 F29
- 3172 N 7
- 3173 M15
- 3174 M16
- 3175 M17
- 3176 Q27
- 3177x O18
- 3183 E22
- 3184 E22
- 3185 M14
- 3188 H25
- 3189 E29
- 3190 Q26
- 3191 E29
- 3192 E29
- 3193 M16
- 3194 Q31
- 3195 H31
- 3197 H31
- 3206 I 6
- 3222x P 3
- 3223x N 4
- 3224 M14
- 3226x N14
- 3229x O14
- 3231 O 7
- 3233 M 5
- 3235 H15
- 3238x N 9
- 3240 Q31
- 3241x O11
- 3242 N11
- 3243x N10
- 3244 M 9
- 3245x N 4
- 3248 I 0
- 5105x P 2
- 5109x O 3
- 5109 I 7
- 5120 L 8
- 5122x O10
- 5123 M10
- 5125 L 9
- 5140 A 9
- 5142 A 8
- 5143 D 7
- 5144 D 9
- 5146 C10
- 5170 Q25
- 6105 M12
- 6105 N5
- 6109 J 7
- 6121 E21
- 6122 E21
- 6123 E21
- 6124 K 8
- 6140 I 9
- 6154 D18
- 6174 Q26
- 7102x P 4
- 7104x N 5
- 7105 I 7
- 7120 L20
- 7121x O 8
- 7123x O13
- 7128x M15
- 7140 E 5
- 7166 J 7
- 7170 O17
- 7172 H18
- 7172 Q23
- 7172 Q20
- 7172 N22
- 7172 N20
- 7172 Q22
- 7173 H24
- 7173x O18
- 9105 I 18
- 9134 I 8
- 9190 B12
- 9191 O13
- 9197 C 3
- 9199 J 6
- T001 C 2
- T002 D 2
- T003 O 4
- T007 D 6
- T008 D 6
- T009 I 8
- T010 H10



o for 2-band version only
 x for LW version only
 *y for USA version only
 z not for all versions



TUNER UNIT

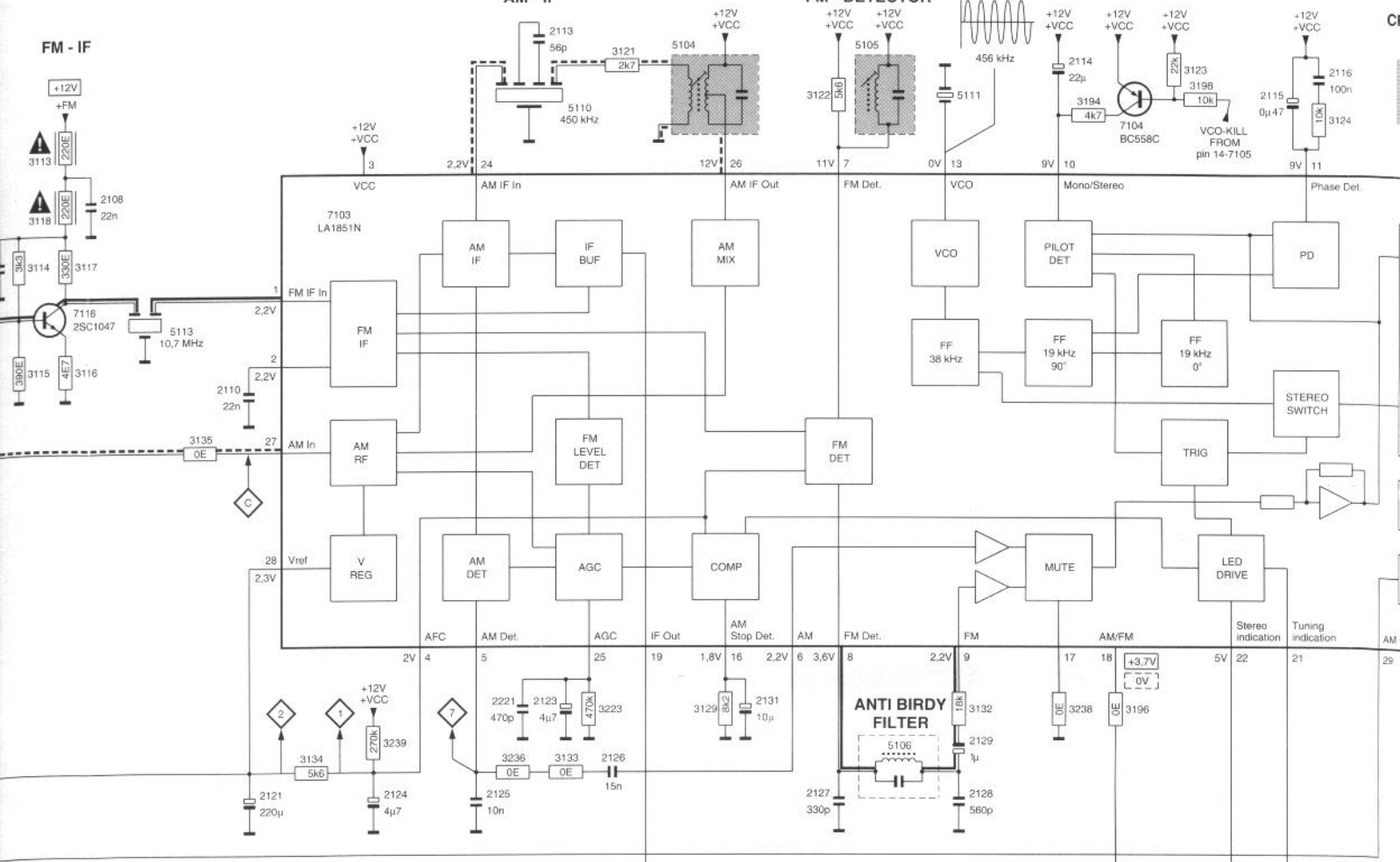


11 12 13 14 15 16 17 18 19 20 21 22

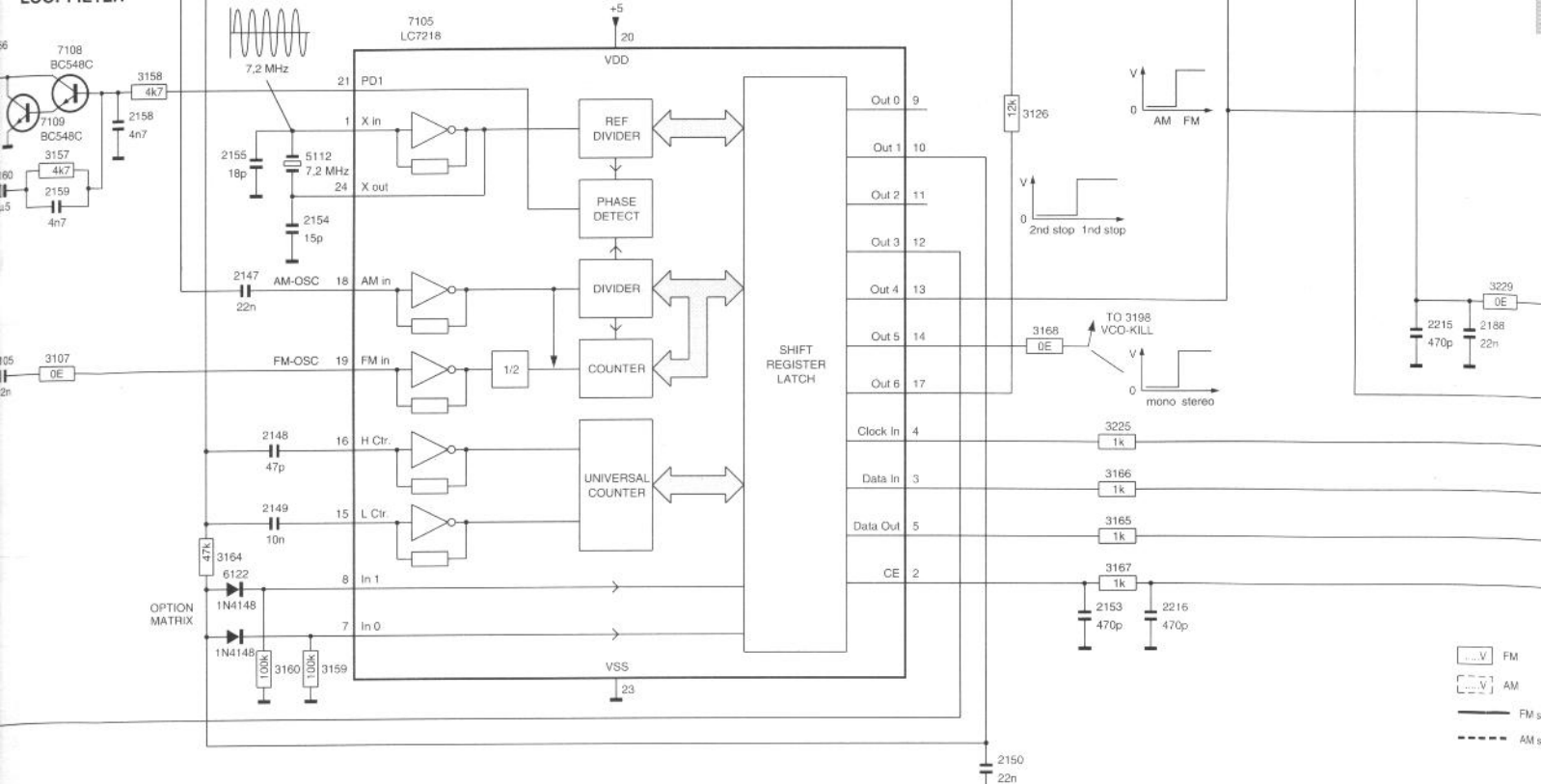
FM - IF

AM - IF

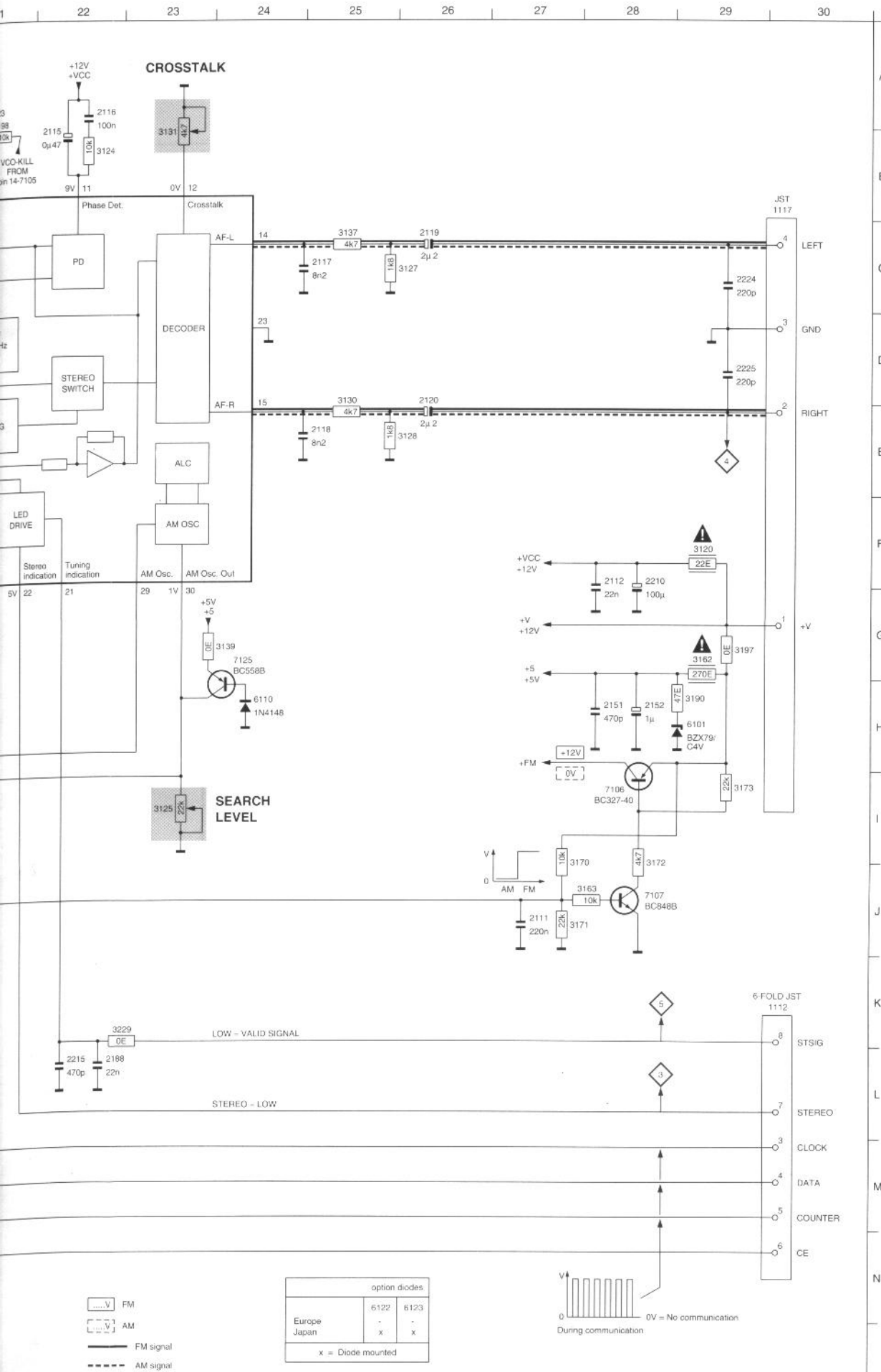
FM - DETECTOR



LOOPFILTER

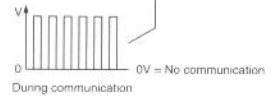


FM
 AM
 FM s
 AM s



- A 1101 B6 3190 H29
- 1110 C1 3194 B20
- 1112 K30 3196 G30
- 1117 B30 3197 G29
- 2101 B3 3198 A21
- 2102 B4 3200 C9
- 2103 B2 3201 N6
- 2104 E8 3202 I9
- 2105 L10 3223 G16
- 2108 B11 3225 L19
- 2109 C10 3229 K22
- 2110 D12 3233 E7
- 2111 J27 3236 G15
- 2112 F28 3238 G20
- 2113 A15 3239 G14
- 2114 A20 3240 N4
- 2115 B22 5103 D8
- 2116 A22 5104 A16
- 2117 C25 5105 A18
- 2118 E25 5106 G18
- 2119 C26 5108 K8
- 2120 D26 5110 B15
- 2121 H13 5111 B19
- 2123 G15 5112 J13
- 2124 H14 5113 D12
- 2125 H15 5114 K8
- 2126 G16 5127 L5
- 2127 H18 6101 H29
- 2128 H19 6102 K6
- 2129 G19 6110 H24
- 2131 G17 6122 N12
- 2141 L6 7103 C13
- 2142 N9 7104 B20
- 2144 L7 7105 I14
- 2145 L8 7106 I28
- 2146 M8 7107 J28
- 2147 K12 7108 I11
- 2148 M12 7109 J11
- 2149 M12 7111 N4
- 2150 O18 7112 M8
- 2151 H28 7113 O7
- 2152 H28 7114 N4
- 2153 N19 7115 K5
- 2154 K13 7116 C11
- 2155 J12 7125 G24
- 2156 I10 7151 N6
- 2158 J11 9116 C10
- 2159 K11 9117 C8
- 2160 J10
- 2161 J6
- 2162 K7
- 2188 L22
- 2193 M5
- 2194 N5
- 2195 M6
- 2196 M8
- 2197 L8
- 2210 F28
- 2215 L22
- 2216 N20
- 2221 G15
- 2224 C29
- 2225 D29
- 3101 A2
- 3102 A3
- 3104 B4
- 3105 E8
- 3106 C7
- 3107 L11
- 3113 B11
- 3114 C11
- 3115 D11
- 3116 D11
- 3117 C11
- 3118 C11
- 3120 F29
- 3121 A16
- 3122 B18
- 3123 A21
- 3124 B22
- 3125 I23
- 3126 J19
- 3127 C26
- 3128 E26
- 3129 G17
- 3130 D25
- 3131 B23
- 3132 G19
- 3133 G15
- 3134 G13
- 3135 E12
- 3137 C25
- 3138 J6
- 3139 G24
- 3141 N4
- 3142 O5
- 3143 K6
- 3144 K6
- 3145 K6
- 3147 K7
- 3148 L7
- 3149 N7
- 3150 N7
- 3151 O7
- 3152 O8
- 3153 M3
- 3155 I10
- 3156 I10
- 3157 J11
- 3158 J11
- 3159 N13
- 3160 N13
- 3162 G29
- 3163 J27
- 3164 N12
- 3165 M19
- 3166 M19
- 3167 N19
- 3168 L19
- 3170 J27
- 3171 J27
- 3172 J28
- 3173 I29

| option diodes | | |
|-------------------|------|------|
| | 6122 | 6123 |
| Europe | - | - |
| Japan | x | x |
| x = Diode mounted | | |



⚡ Only for JAPAN
Not for JAPAN

Dismantling hints CD Short Loader

Dismantling the tray

- a) Press open/close button to open the tray. If the tray doesn't work, use a small screw driver as shown in Fig.1 point 1 to move the tray outside. After the first centimeter it is possible to pull the tray out by hand.
- b) Release two snaps and remove tray.

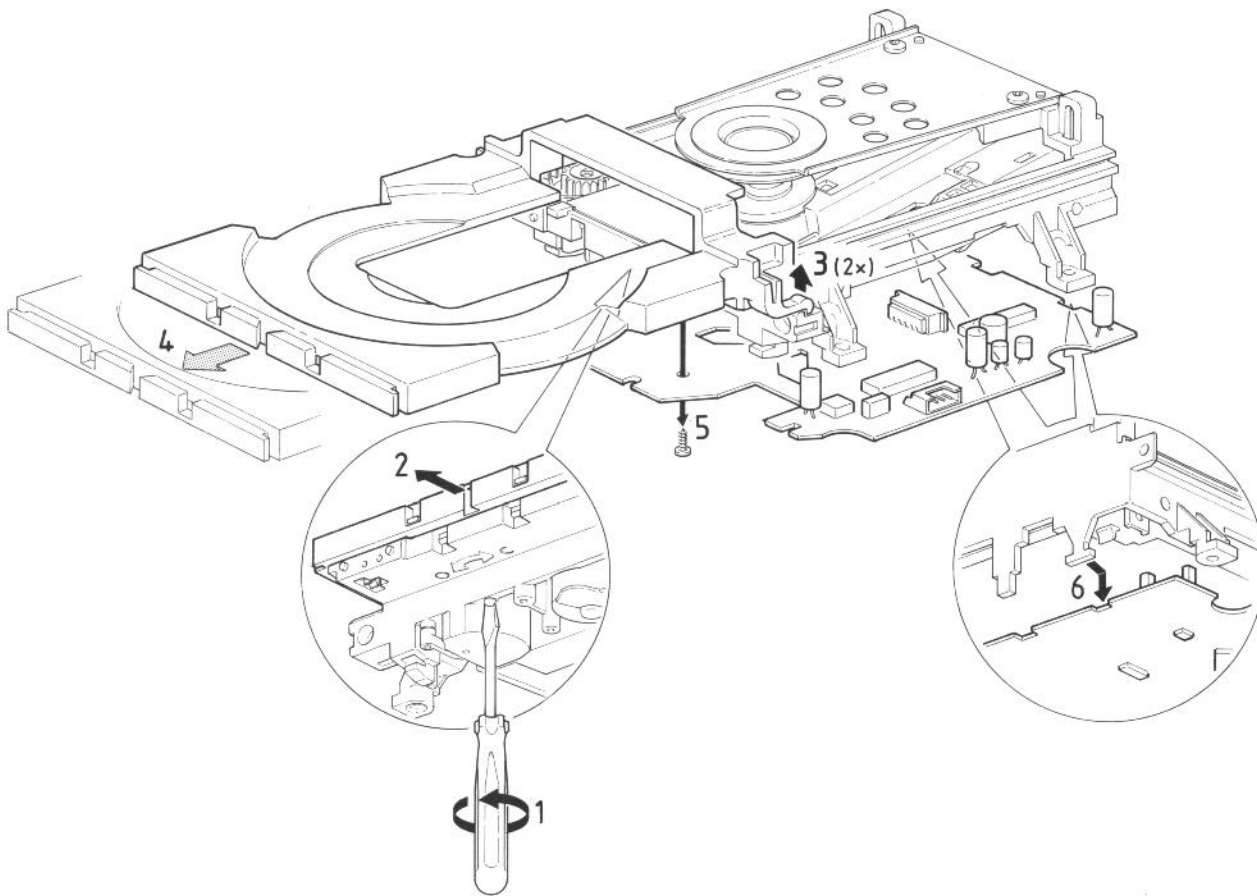
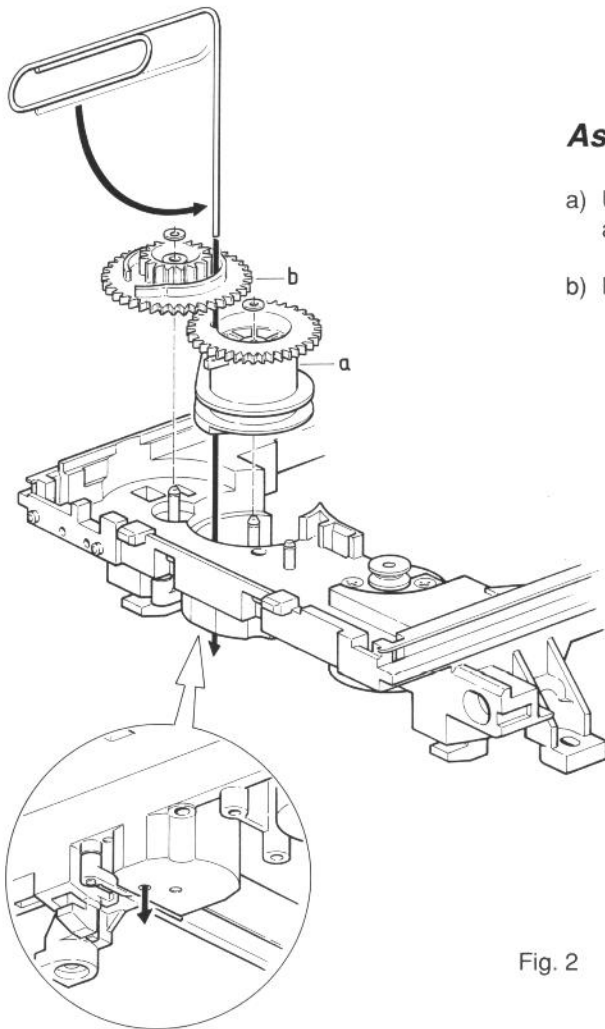


Fig. 1



Assembly of gear

- a) Use a pin (e.g. a paperclip) to align the cam wheel (a) and the gear wheel (b) together. See Fig. 2.
- b) Fix the wheels with the small plastic washers.

Fig. 2

- c) Mount idle wheel2 (c) and idle wheel1 (d) in any position. See Fig. 3.
- d) Fix the idle wheel1 with the small plastic washer.
- e) Mount the driving belt.

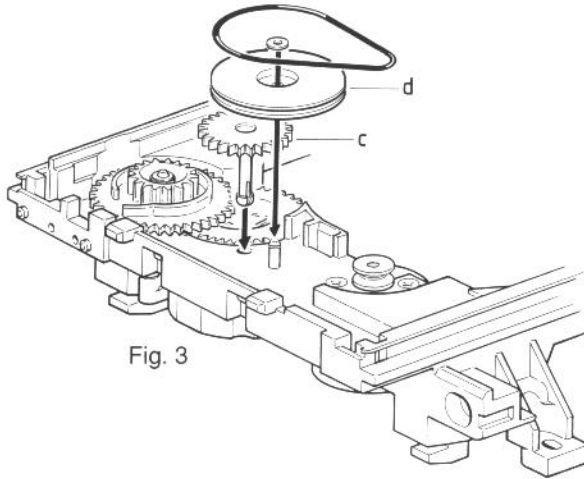


Fig. 3

wheel (a)

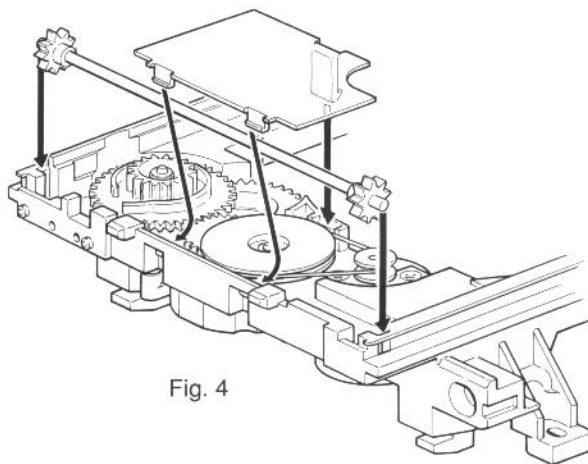


Fig. 4

- f) Mount the pinion guiding assy and the cover as shown in Fig. 4.
- g) Turn the gear wheel (b) counter clockwise to endposition.

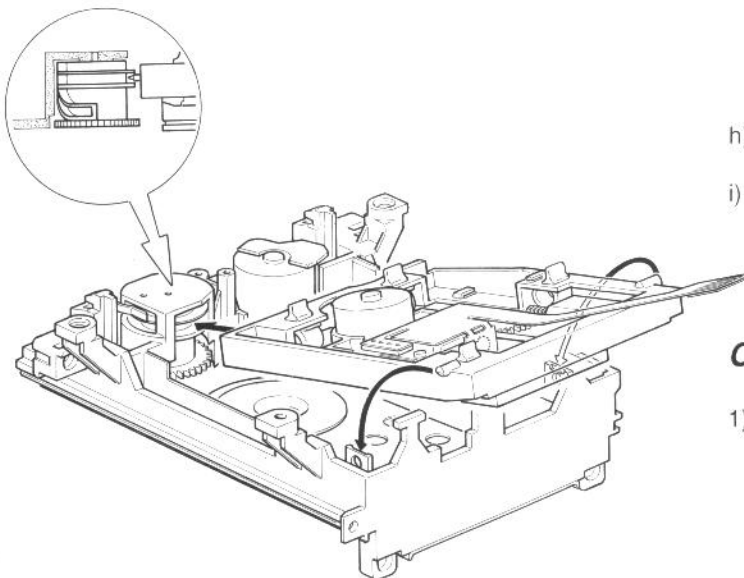


Fig. 5

- h) Mount the CD Mechanism as shown in Fig. 5.
- i) Mount the tray. (Align the tray to the chassis and push it inside)

Check if tray mechanism works correct!

- 1) Turn the gear wheel (b) clockwise to its endposition. (Use a small screwdriver as shown in Fig. 1 point 1)

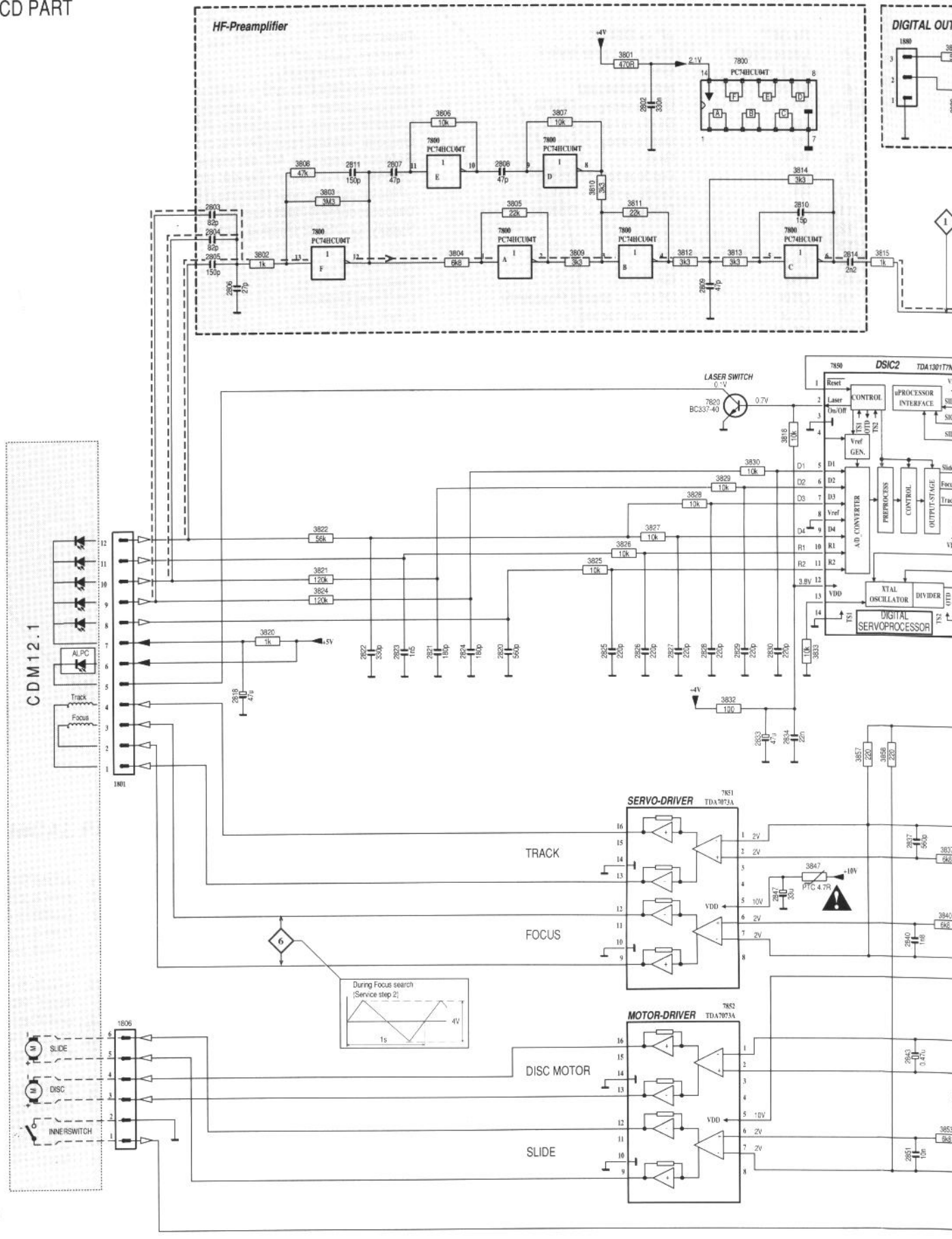
The tray has to move to inner position first and than the CD Mechanism has to move to its upper position.

- 2) Turn the gear wheel (b) counter clockwise to its endposition.

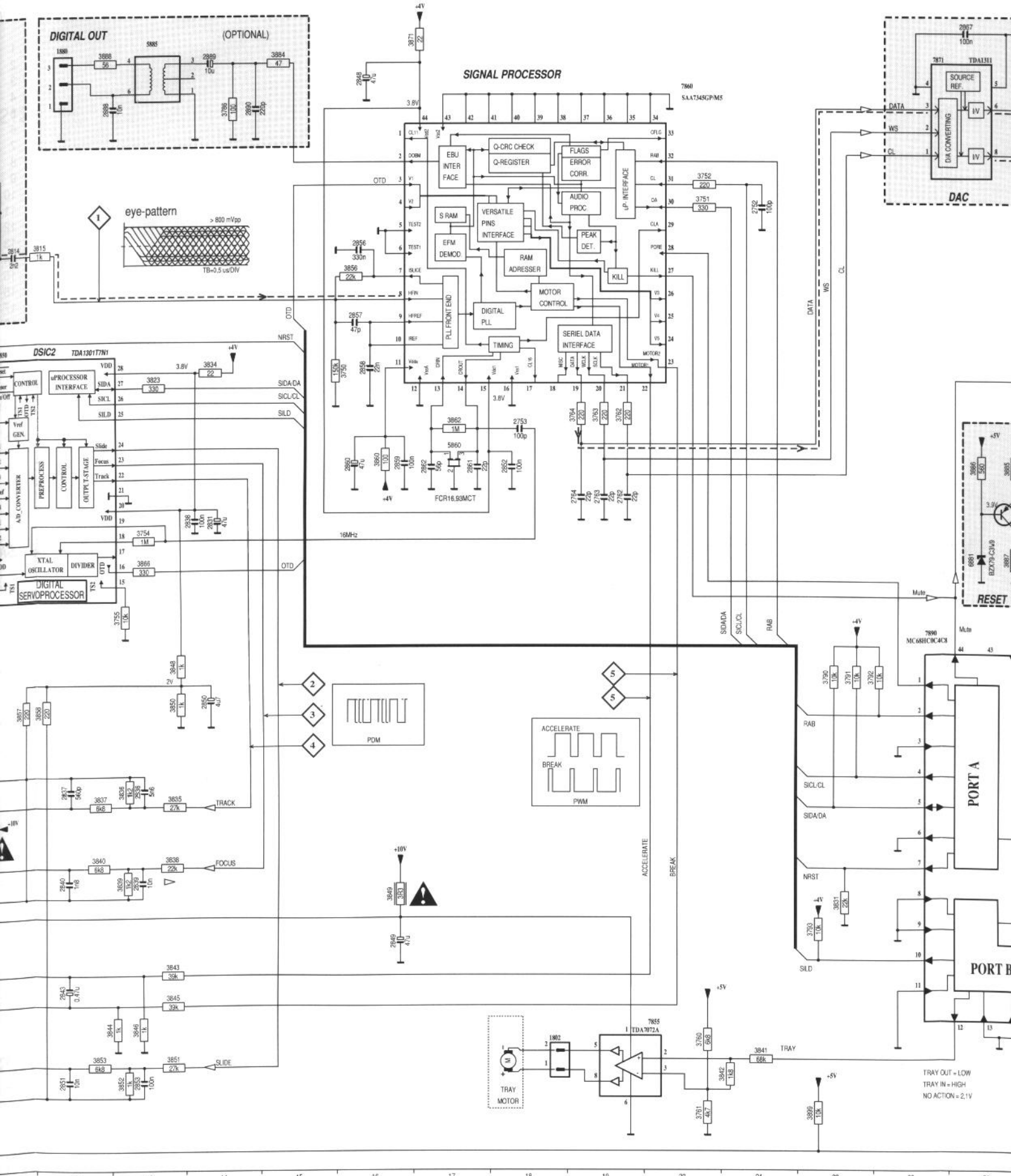
The CD Mechanism has to move to its lower position first and than the tray has to move to outside.

| | | | | | | | | | | |
|----------|----------|----------|----------|---------|----------|----------|---------|---------|----------|----------|
| 1801 J2 | 1806 O2 | 2752 C21 | 2764 G19 | 2803 C3 | 2807 C6 | 2811 C5 | 2821 H6 | 2825 H8 | 2829 H10 | 2834 J10 |
| 1802 N18 | 1810 J30 | 2753 F18 | 2769 B26 | 2804 C3 | 2808 C7 | 2814 D11 | 2822 H5 | 2826 H9 | 2830 H10 | 2836 K13 |
| 1804 F32 | 1820 J30 | 2762 G19 | 2770 D26 | 2805 D3 | 2809 D9 | 2818 I4 | 2823 H6 | 2827 H9 | 2831 H14 | 2837 K12 |
| 1805 G32 | 1880 A12 | 2763 G19 | 2802 B9 | 2806 D4 | 2810 C11 | 2820 H7 | 2824 H6 | 2828 H9 | 2833 J10 | 2838 H14 |

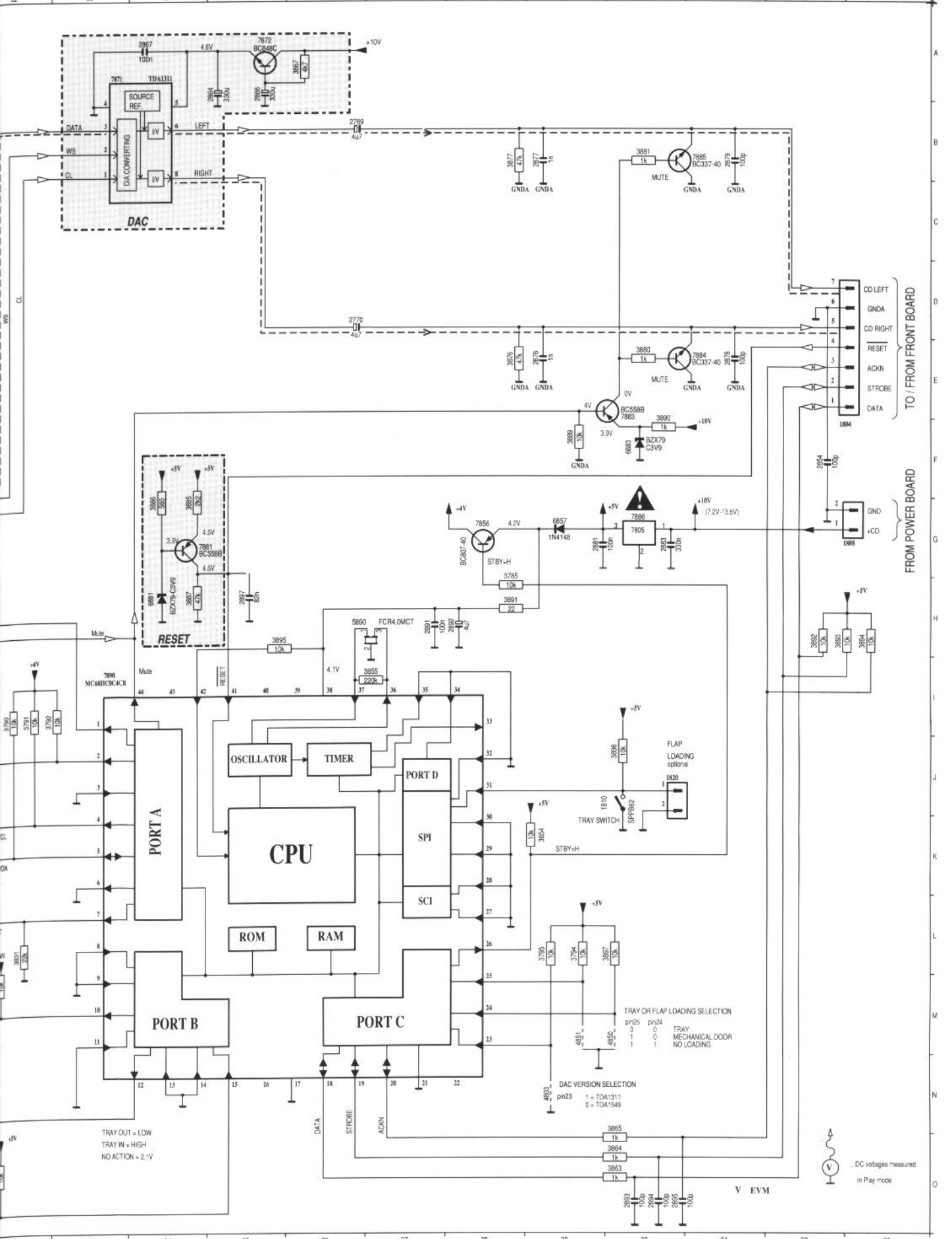
CD PART



| | | | | | | | | | | | | | | | | | | | | | | |
|-----|------|-----|------|-----|------|-----|------|-----|------|-----|------|-----|------|-----|------|-----|------|-----|------|-----|------|-----|
| H10 | 2834 | J10 | 2839 | L13 | 2848 | A16 | 2852 | G18 | 2857 | E16 | 2861 | G17 | 2867 | A24 | 2879 | B31 | 2889 | A14 | 2893 | O30 | 3750 | E16 |
| H10 | 2836 | K13 | 2840 | L12 | 2849 | M16 | 2853 | O13 | 2858 | E16 | 2862 | G17 | 2876 | E29 | 2881 | G29 | 2890 | B14 | 2894 | O30 | 3751 | C20 |
| H14 | 2837 | K12 | 2843 | M12 | 2850 | J14 | 2854 | F32 | 2859 | F16 | 2864 | A25 | 2877 | B29 | 2883 | G30 | 2891 | H27 | 2895 | O30 | 3752 | C20 |
| J10 | 2838 | H14 | 2847 | L10 | 2851 | O12 | 2856 | D16 | 2860 | F16 | 2866 | A25 | 2878 | E31 | 2888 | B12 | 2892 | H28 | 2897 | H25 | 3754 | G13 |



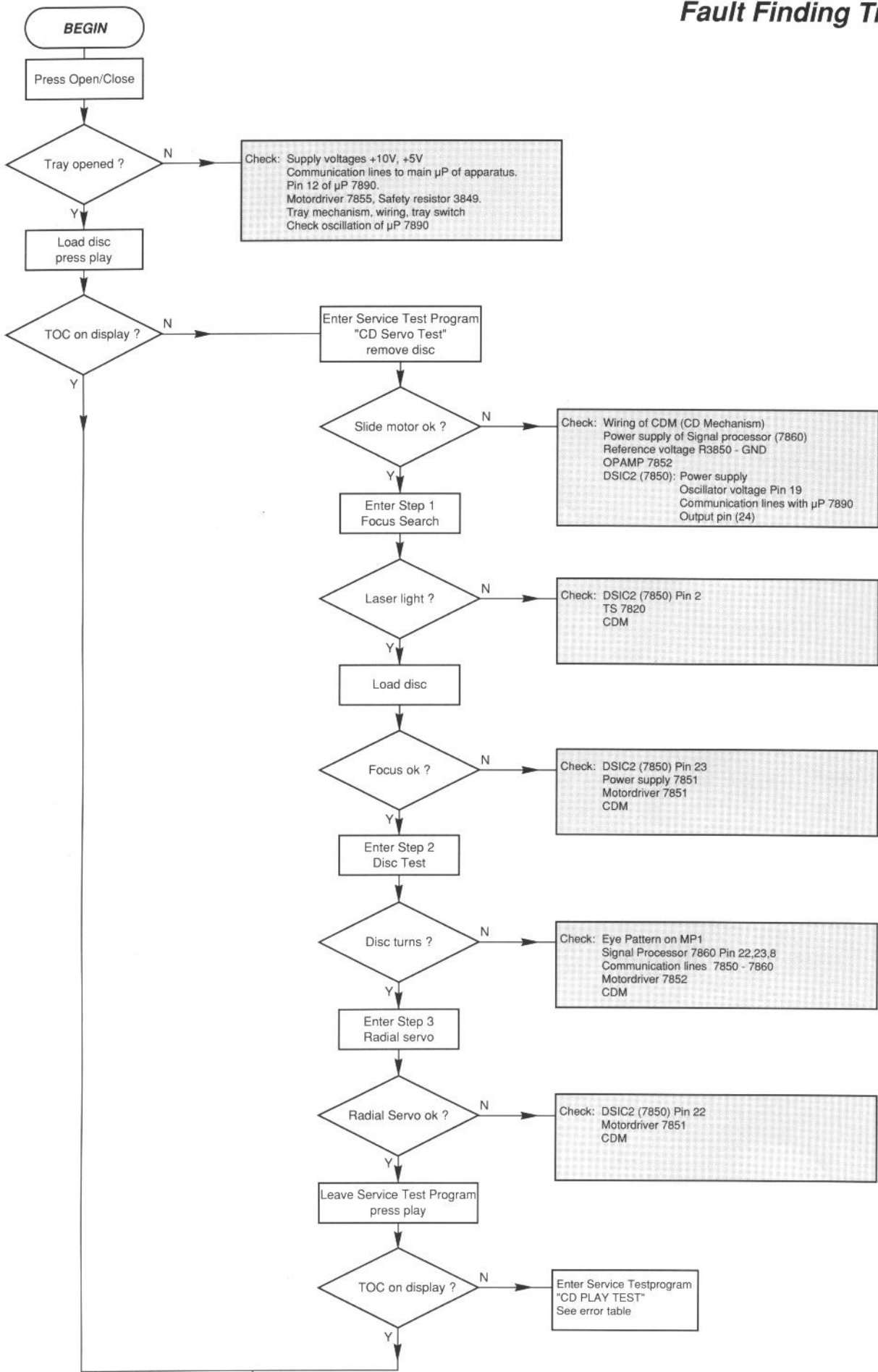
| | | | | | | | | | | | | | | | | | | | | | |
|------|-----|------|-----|------|-----|------|-----|------|-----|------|-----|------|----|------|----|------|----|------|-----|------|-----|
| 2893 | O30 | 3750 | E16 | 3755 | H13 | 3763 | F19 | 3785 | H28 | 3792 | I22 | 3801 | A8 | 3805 | C7 | 3809 | D8 | 3813 | D10 | 3820 | H4 |
| 2894 | O30 | 3751 | C20 | 3760 | N20 | 3764 | F19 | 3786 | B14 | 3793 | M22 | 3802 | D4 | 3806 | B6 | 3810 | C8 | 3814 | C11 | 3821 | H5 |
| 2895 | O30 | 3752 | C20 | 3761 | O20 | 3767 | A29 | 3790 | I22 | 3794 | L29 | 3803 | C5 | 3807 | B8 | 3811 | C9 | 3815 | D12 | 3822 | G5 |
| 2897 | H25 | 3754 | G13 | 3762 | F19 | 3770 | D29 | 3791 | I22 | 3795 | L29 | 3804 | D6 | 3808 | C5 | 3812 | D9 | 3818 | F10 | 3823 | E13 |

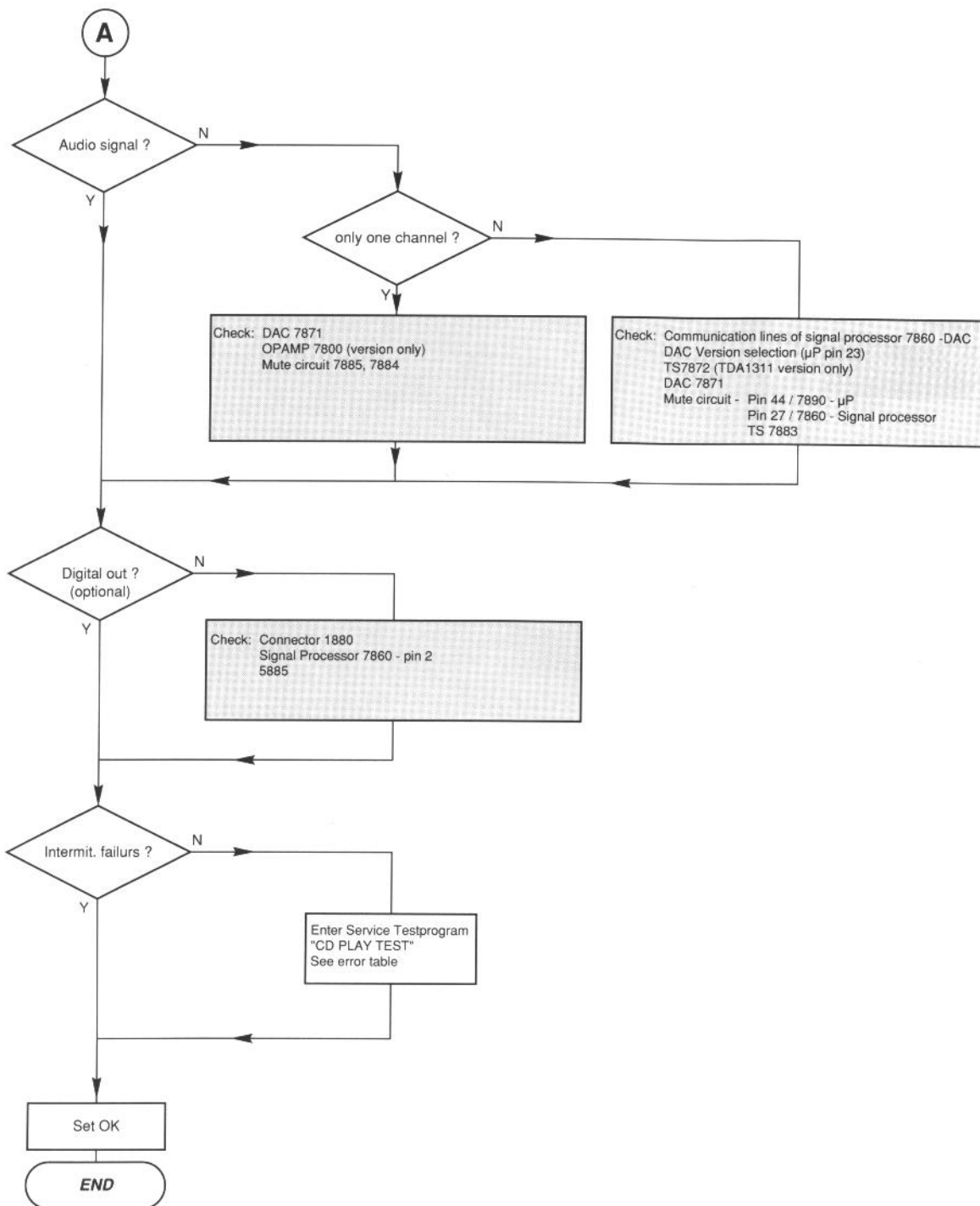


| | |
|------|-----|
| 3824 | H5 |
| 3825 | G8 |
| 3826 | G8 |
| 3827 | G9 |
| 3828 | G9 |
| 3829 | F10 |
| 3830 | F10 |
| 3831 | L22 |
| 3832 | I10 |
| 3833 | H11 |
| 3834 | E14 |
| 3835 | K13 |
| 3836 | K13 |
| 3837 | K12 |
| 3838 | L13 |
| 3839 | L13 |
| 3840 | L12 |
| 3841 | N21 |
| 3842 | N21 |
| 3843 | M13 |
| 3844 | N12 |
| 3845 | N13 |
| 3846 | N13 |
| 3847 | K11 |
| 3848 | I13 |
| 3849 | L16 |
| 3850 | J13 |
| 3851 | N13 |
| 3852 | O13 |
| 3853 | N12 |
| 3854 | K29 |
| 3855 | I27 |
| 3856 | D16 |
| 3857 | J11 |
| 3858 | J12 |
| 3860 | F16 |
| 3862 | F17 |
| 3863 | O30 |
| 3864 | O30 |
| 3865 | O30 |
| 3866 | H13 |
| 3867 | A26 |
| 3871 | A16 |
| 3876 | E28 |
| 3877 | B28 |
| 3880 | E30 |
| 3881 | B30 |
| 3884 | A15 |
| 3885 | G24 |
| 3886 | G24 |
| 3887 | H24 |
| 3888 | A12 |
| 3889 | F29 |
| 3890 | F30 |
| 3891 | H28 |
| 3892 | H32 |
| 3893 | H32 |
| 3894 | H33 |
| 3895 | H25 |
| 3896 | J30 |
| 3897 | L30 |
| 3899 | O22 |
| 4803 | N29 |
| 4850 | M30 |
| 4851 | M29 |
| 5860 | F17 |
| 5885 | A13 |
| 5890 | H26 |
| 6857 | G29 |
| 6881 | H24 |
| 6883 | F30 |
| 7800 | D5 |
| 7800 | B7 |
| 7800 | B6 |
| 7800 | C10 |
| 7800 | C8 |
| 7800 | C7 |
| 7820 | E10 |
| 7850 | E11 |
| 7851 | J9 |
| 7852 | M9 |
| 7855 | N20 |
| 7856 | G28 |
| 7860 | B20 |
| 7871 | A23 |
| 7872 | C24 |
| 7880 | D27 |
| 7880 | A27 |
| 7881 | G24 |
| 7883 | C30 |
| 7884 | E31 |
| 7885 | B31 |
| 7886 | G30 |
| 7890 | I23 |

TO / FROM FRONT BOARD
 TO / FROM POWER BOARD
 V EVM
 DC voltages measured in Play mode

Fault Finding Tree CD





Abb

DSIC2

Pin M

| | |
|----|----|
| 1 | R |
| 2 | L |
| 3 | G |
| 4 | V |
| 5 | D |
| 6 | D |
| 7 | D |
| 8 | V |
| 9 | D |
| 10 | R |
| 11 | R |
| 12 | V |
| 13 | |
| 14 | TS |
| 15 | TS |
| 16 | O |
| 17 | CR |
| 18 | X |
| 19 | X |
| 20 | V |
| 21 | G |
| 22 | Tr |
| 23 | F |
| 24 | SI |
| 25 | SI |
| 26 | SI |
| 27 | SI |
| 28 | VD |

SIGNA

Pin N

| | |
|----|-----|
| 1 | CL |
| 2 | DC |
| 3 | V1 |
| 4 | V2 |
| 5 | Te |
| 6 | Te |
| 7 | ISL |
| 8 | HF |
| 9 | HF |
| 10 | IRE |
| 11 | VD |
| 12 | VS |
| 13 | CR |
| 14 | CR |
| 15 | VD |
| 16 | VS |
| 17 | CL |
| 18 | MIS |
| 19 | DA |
| 20 | WC |
| 21 | SC |
| 22 | MO |
| 23 | MO |
| 24 | V5 |
| 25 | V4 |
| 26 | V3 |
| 27 | KIL |
| 28 | PO |
| 29 | CLA |
| 30 | DA |
| 31 | CL |
| 32 | RAF |
| 33 | CFI |
| 43 | VSS |
| 44 | VD |